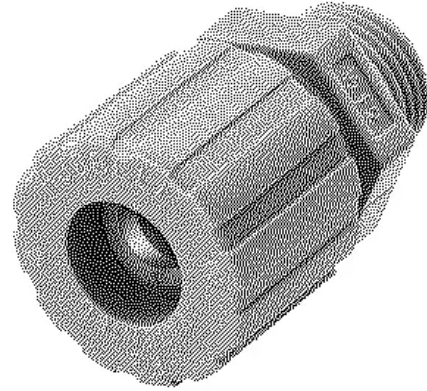


# Kellems Wire Management, Cord Connectors, Straight Male, .88"-1.00", 1", Nylon

By Hubbell Wiring Device-Kellems  
Catalog # [SHC1043CR](#)



Kellems Wire Management, Cord Connectors, Straight Male, .88"-1.00", 1", Nylon

## Application

Straight Male- Form 4

## Performance

- Environmental - Flammability - UL 94-V2
- Environmental - Hazardous Locations - Used in hazardous locations per Class I Div. 2, Class II Div. 1 & 2, Class III Div. 1 & 2 in accordance with the NEC
- Environmental - Operating Temperatures - -30°F to +225°F (-34°C to +107°C)

## General

Catalog Number	SHC1043CR
Color	Gray
Color Code	Gray
EU RoHS Indicator	Yes
Environmental Conditions	Suitable For Use In Wet Locations When Used With A Listed Nylon Washer Between Box And Fitting.
Item Type	Cord Connectors
Material	Nylon
Material - Mounting Hardware	Locknut or Tapped Opening
Series	Standard Duty
Specifications	<ul style="list-style-type: none"><li>• Cord Diameter Range Inches (mm) - .88"-1.00" (22.2-25.4)</li><li>• Form Size - F4</li><li>• Material - Gray Nylon</li><li>• NPT Hub Size - 1 Inch</li></ul>
Temperature Rating	Minimum -30 Deg F to 225 Deg F (-34 Deg C to 107 Deg C)

Type	Straight Male
UPC	783585208152

## Dimensions

Dimensions	1.88 in x 1.88 in x 2.45 in
Display Size	1" NPT
Height	2.45 in
Hub Size	1"
Length	1.88 in
Weight	0.27 lb
Width	1.88 in

## Conductor Related

Conductor Range	0.88-1 in (22.2-25.4 mm)
Number of Conductors	Single

## Certifications And Compliance

Industry Standard(s)	UL Listed
Nema Rating	NEMA Type 4, 4X, 12 and 13
Standards - RoHS Compliance	CM
Status	

## Logistics

Carton Quantity	15
Pallet Quantity	4725

## Product Assets

[Catalogs - WDK Catalog Full 2024](#)  
[Literature - Wire Management Solutions Brochure](#)  
[Specifications - SHC1043CR](#)  
[Warranty - Industrial & Commercial Products](#)