

Kellems® Wire Management Products  
 Standard Duty Support Grips  
 Support Grips

# HUBBELL

## Features

- Offset eye
- Strand equalizers position wires for equal loading throughout grip length
- Eye assemblies provide eye reinforcement at support hardware

## Ordering Information

Description	Cable Diameter Range Inches(cm)	UPC	Catalog Number
Offset Eye, Split Mesh, Lace Closing	2.50"-2.99" (6.35-7.59)	783585302515	02202046

## Listings

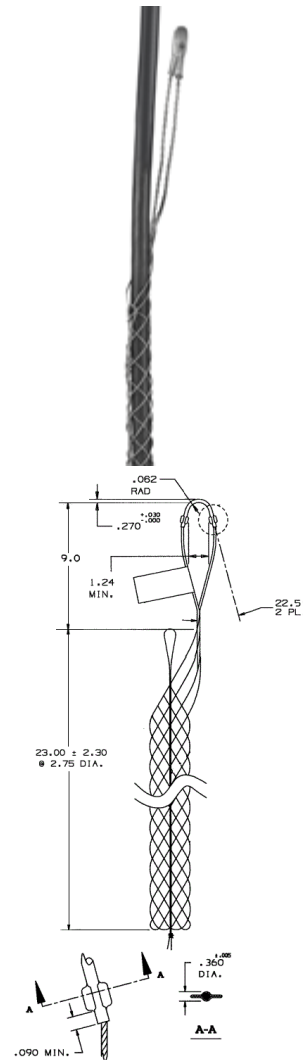
CSA Certified

## Specifications

Strand	Tin-coated bronze
Eye	Copper
Lace	Tin-coated bronze
Tag	Mylar

## Performance

Mechanical	
Approximate Breaking Strength	2,150 (9,563)
Working Load	215 (956.3) Lbs. (N)



## Online Resources

Customer Use Drawing  
 eCatalog  
 Installation Instructions

**IMPORTANT**

Please review all SAFETY INFORMATION for grips on the following page.

Dimensions in Inches (mm)

Hubbell Wiring Device-Kellems • Hubbell Incorporated (Delaware) • 40 Waterview Drive • Shelton, CT 06484

Phone (800) 288-6000 • Fax (800) 255-1031 • Specifications subject to change without notice.



## Support Grip Safety Information

Kellems Support Grips are used to hold the weight of electrical cable as it hangs in a vertical, sloping or horizontal position. Electrical cable must be supported, or its dead weight can cause excessive strain or pullout at the connections resulting in power failure. Support grips also absorb additional strain from flexure, vibration, expansion and contraction. Standard Support and Conduit Riser Grips are made of high grade, non-magnetic tin-coated bronze strands. Stainless steel grips, used for severe service or unusual environmental conditions are made of alloy 302–304 SST.

### CAUTION

It is very important to comply with all of the following precautions. Failure to do so may result in property damage, personal injury or death.

1. Support grips are to be installed by a qualified individual in accordance with all applicable national and local safety, electrical and rigging codes.
2. Ensure that the correct grip is selected for your specific needs.
3. Do not use a support grip for any application other than supporting cable.
4. Thoroughly examine the grip for damage. Do not use a damaged grip.
5. Ensure that the recommended work load of the grip is suitable for the application. Never use grips at their approximated rated breaking strength. A safety factor of 10 is recommended for support grips.
6. Do not alter grips in any way. For example, do not flatten, straighten, bend or otherwise modify eye tubes, hooks, and strand equalizers.
7. Do not attach any type of hook, clamp or other hardware directly to the stranded bale of a “U” eye support grip. The formed eye tube is the only acceptable means of attachment to external hardware.
8. Always apply 2 bands at 1" and 2" respectively, from the tail end of the mesh to guard against accidental release of the grip. Accidental release can occur if an object contracts and pushes against the tail end of the mesh, thereby expanding and releasing it's hold.

## Select The Correct Support Grip

Each Kellems Grip is designed to work on a specific range of cable diameters.

- Step 1** To determine the style of grip best suited for your application.
- Step 2** Determine your cable outside diameter.
- Step 3** Find the grip size that encompasses your cable diameter.
- Step 4** Whenever possible, use a closed mesh that assembles over the cable end. If the cable end is not available, use a split mesh. Where available, select an eye style that suits your needs.
- Step 5** Select the proper material—tinned bronze or stainless steel.
- Step 6** Estimate the tension to be put on the grip, establish the working load you require and compare this to the listed approximate breaking strength of the grip to insure that the grip will be strong enough. Refer to product installation instructions for safety and working load factors.

## Safety And Working Load Factors For Support Grips

The broad application of Kellems grips on a wide variety of objects requires that adequate safety factors be used to establish working loads. The approximate breaking strength of a Kellems grip represents an average calculation based on data established from actual direct tension testing done in our engineering laboratories.

It is impossible to catalog or guarantee a safety factor suitable for all applications as operating conditions are never the same. The tension, diameter, movement, number of objects gripped, gripping surface, and the attachments used are just some of the factors which vary with each application. These factors, together with the effects of abrasion, corrosion, prior use or abuse and any other variables of a specific application, must be considered by the user and the grip replaced as

appropriate. Where the conditions of the application are not well defined or known, or where risk of injury to persons or property is involved, a greater safety factor should be utilized.

**Under normal conditions, Kellems' recommended factor of safety is ten for catalog listed support grips.**

Any warranty as to quality, performance or fitness for use of grips is always premised on the condition that the published breaking strengths apply only to new, unused grips, and that such products are properly stored, handled, used, maintained and inspected by the user at a frequency appropriate for the use and condition of the grip.

### Example

Grip Style	Approx. Breaking Strength Lbs. (N)	Safety Factor	Max. Recommended Load Lbs. (N)	Catalog Number
Support Grips	1,610 (7,161)	10	161 (716)	<b>02202019</b>

The maximum recommended working load is the tension to be exerted on the grip in application with a margin of safety to take care of unforeseen and unusual circumstances.

It is the end-user's decision to determine how much of a safety factor is acceptable for the application.

The metric unit of measure (force) for breaking strength and load is newtons (N). To convert from newtons to the metric unit of weight (kilograms) the conversion factor is 9.808 newtons/kilogram.