

## Floor Boxes

# SystemOne Recessed 10 Gang Floor Box Cover For Use In Raised Access and Wood Floors

# HUBBELL

### Features

- 180 degree cover opening to lay flat and reduce tripping hazards
- Two large hide-away cable egress doors
- Die cast aluminum cover construction for enhanced durability
- UL ScrubWater Compliant
- ADA Compliant

### Ordering Information

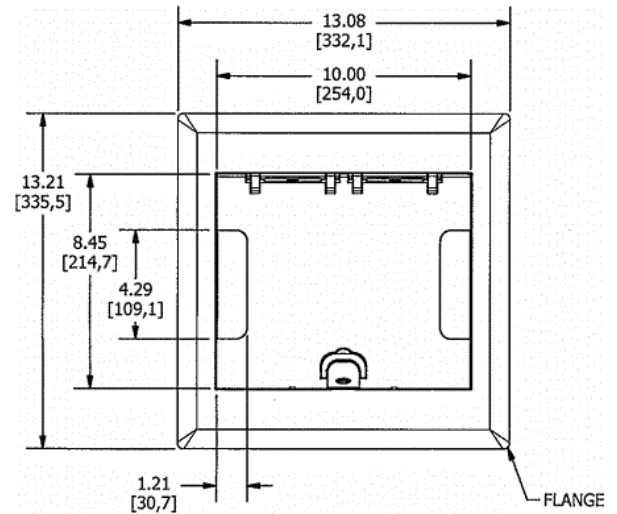
Style	Finish	UPC	Catalog Number
Raised Access / Wood Cover	Aluminum	783585527598	10GAFBCVRALU

### Listings

cULus Listed  
Complies with UL514A Scrubwater  
ADA Compliant

### Specifications

Cover Material	Die cast aluminum
Flange height	0.25 in.
Adjustment Range	0 - 1.0 inch
Load Rating	1500 lbs. (w/ 2x safety factor)
Cover Finish	Aluminum powder paint
Egress Door Openings	4.29" x 1"



### Related Products

Compatible with AFB10G55 and  
AFB10G55CHI Series Boxes

Cover Mounting Hardware Factory  
Installed

### Online Resources

Customer Sales Drawings  
eCatalog  
Installation Instructions

Dimensions in Inches (mm)

Hubbell Wiring Device-Kellems • Hubbell Incorporated (Delaware) • 40 Waterview Drive • Shelton, CT 06484

Phone (800) 288-6000 • Fax (800) 255-1031 • Specifications subject to change without notice.

