

# Floor Boxes

## SystemOne Recessed 10 Gang Floor Box Cover

For Use In Raised Access and Wood Floors

# HUBBELL

### Features

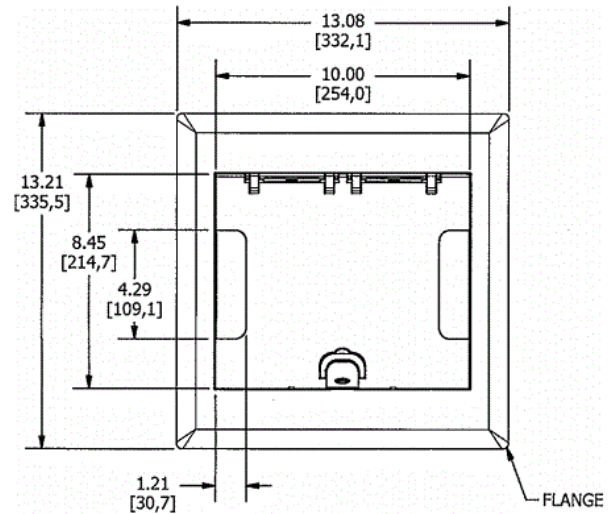
- 180 degree cover opening to lay flat and reduce tripping hazards
- Two large cable egress doors
- Die cast aluminum cover construction for enhanced durability
- ADA Compliant

### Ordering Information

- Compatible with AFB10G55 and AFB10G55CHI
- Rectangular style typical applications: Raised Floors, Wood Floors



Catalog Number	UPC Number	Style	Finish
10GAFBCVRBRS	783585527604	Raised Access / Wood	Brass Powder Coat
Dimensions	Floor Finish Insert		
13-1/16 x 13-3/16 in.	No		



### Specifications

Cover Material	Aluminum
Flange height	0.25 in.
Adjustment Range	0 - 1.0 inch
Load Rating	1500 lbs. (w/ 2x safety factor)

### Online Resources

[Customer Use Drawing](#)  
[eCatalog](#)  
[Installation Instructions](#)

Dimensions in Inches (mm)

Hubbell Wiring Device-Kellems • Hubbell Incorporated (Delaware) • 40 Waterview Drive • Shelton, CT 06484

Phone (800) 288-6000 • Fax (800) 255-1031 • Specifications subject to change without notice.

