

Straight Blade Devices

20A, 125V, 2 Pole, 3 Wire Grounding

Hubbell-PRO Heavy Duty Hospital Grade Receptacles

HUBBELL

Features

- Triple wipe contacts
- High impact resistant decorator face
- Steel mounting strap

Ordering Information

Description	Device Color	UPC Number	Catalog Number
Hospital grade, Style Line® decorator	Brown	783585196572	2182

Listings

Certified to CSA, C22.2, No. 42 File 285
Fed. Spec. W-C-596
NEMA® WD-6 Compliant
UL Listed to UL498 File No. E2186

Specifications

Power Contacts	Brass
Ground Contacts	Brass
Clamping Plate	Plated steel
Mounting Strap	Galvanized steel
Base	PBT
Face	Nylon
Mounting Screws	Zinc plated steel
Automatic Self-grounding Staple	Stainless steel

Performance

Electrical

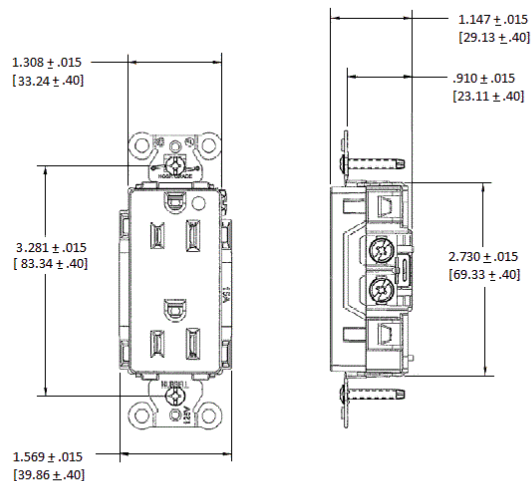
Current Interrupting	Certified for current interrupting at full rated current
Dielectric Voltage	Withstands 2,000V minimum

Mechanical

Product Identification	Ratings are a permanent part of the device
Terminal Accommodation	#12-#10 AWG stranded or solid copper wire only
Terminal Identification	Terminals identified in accordance with UL 498 and CSA

Environmental

Flammability	UL 94V-2
Operating Temperature	Maximum continuous 75°C; minimum -40°C (w/o impact)



Complementary Products

Wallplate or Weatherproof Cover

StyleLine® Decorator Opening

Online Resources

Customer Sales Drawings
eCatalog

Dimensions in Inches (mm)

Hubbell Wiring Device-Kellems • Hubbell Incorporated (Delaware) • 40 Waterview Drive • Shelton, CT 06484

Phone (800) 288-6000 • Fax (800) 255-1031 • Specifications subject to change without notice.

