

Floor Boxes

SystemOne Recessed 2 and 4 Gang Floor Box Cover

For Use In Concrete Floors

Features

- 180 degree cover opening to lay flat and reduce tripping hazards
- Two large cable egress doors
- Die cast aluminum cover construction for enhanced durability
- ADA Compliant

Ordering Information

- Compatible with CFB2G25, CFB2G25CR, CFB2G30, CFB2G30CR, CFB4G25, CFB4G25CR, CFB4G30 and CFB4G30CR
- Surface style typical applications: Carpet, VCT

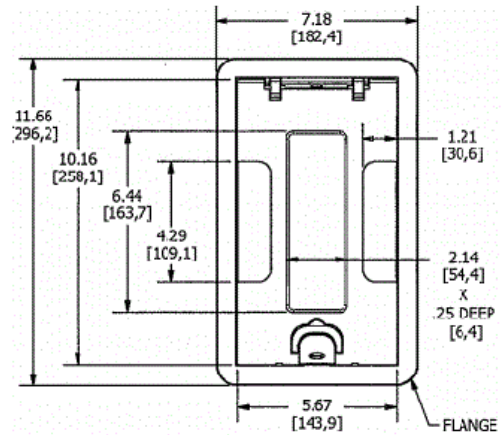
Catalog Number	UPC Number	Style	Finish
24GCCVBRSC	783585527178	Surface	Brass Powder Coat

Dimensions	Floor Finish Insert
7-3/8 x 11-5/8 in.	Yes - 2-1/8 x 6-3/8 in.

Specifications

Cover Material	Aluminum
Flange height	0.13 in.
Adjustment Range	0 - 1.0 inch
Load Rating	800 lbs. (w/ 2x safety factor)
Power Opening	1 in.
Low Voltage Opening	2 in.

HUBBELL



Online Resources

Customer Use Drawing
eCatalog
Installation Instructions

Dimensions in Inches (mm)

Hubbell Wiring Device-Kellems • Hubbell Incorporated (Delaware) • 40 Waterview Drive • Shelton, CT 06484

Phone (800) 288-6000 • Fax (800) 255-1031 • Specifications subject to change without notice.

