

Floor Boxes

SystemOne Recessed 2 and 4 Gang Floor Box Furniture Feed Cover

For Use In Concrete Floors

HUBBELL

Features

- Surface Style Cover
- (1) 2" Conduit Hub and (1) 3/4" Conduit Hub
- Die cast aluminum cover construction for enhanced durability
- ADA Compliant
- Low Profile Surface Furniture Feed; 2" Hub & 1" Hub w/ 3/4" Reducer



Ordering Information

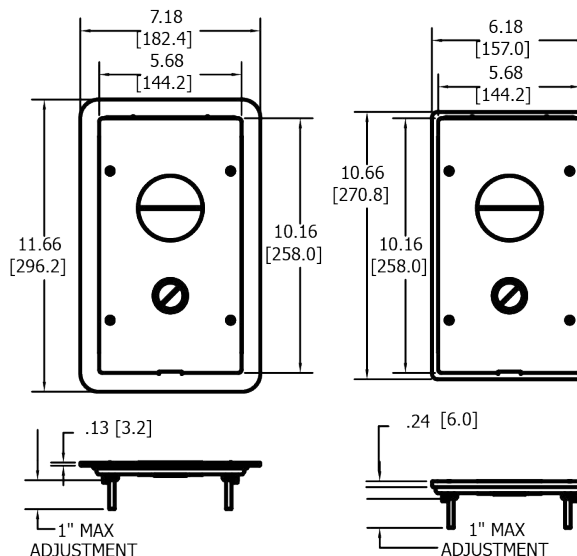
- Compatible with CFB2G25, CFB2G25CR, CFB2G30, CFB2G30CR, CFB4G25, CFB4G25CR, CFB4G30, CFB4G30CI and CFB4G30CR
- Surface style typical applications: Carpet, VCT

Catalog Number	UPC Number	Style	Finish
24GCFFCVRBK	783585446554	Furniture Feed	Black Powder Coat

Dimensions	Floor Finish Insert
7-3/8 x 11-5/8 in.	No

Specifications

Cover Material	Black Powder Coat
Flange height	0.13 in.
Adjustment Range	0 - 1.0 inch
Load Rating	800 lbs. (w/ 2x safety factor)
Power Opening	1 in.
Low Voltage Opening	2 in.



Online Resources

[Customer Use Drawing](#)
[eCatalog](#)
[Installation Instructions](#)

Dimensions in Inches (mm)

Hubbell Wiring Device-Kellems • Hubbell Incorporated (Delaware) • 40 Waterview Drive • Shelton, CT 06484

Phone (800) 288-6000 • Fax (800) 255-1031 • Specifications subject to change without notice.

