

Floor Boxes

SystemOne Recessed 2 and 4 Gang Floor Box Cover For Use In Concrete Floors

Features

- Furniture Feed Style Cover
- (1) 2" Threaded Hub & (1) 1" Threaded Hub w/ 3/4" Reducer
- Die cast aluminum cover construction for enhanced durability
- UL ScrubWater Compliant
- ADA Compliant

Ordering Information

Style	Finish	UPC	Catalog Number
Surface Cover	Brass	783585446592	24GCFFCVRBRS

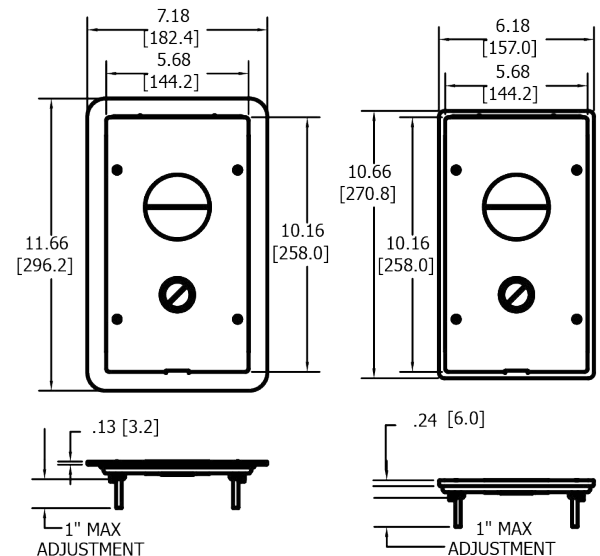
Listings

cULus Listed
Complies with UL514A Scrubwater
ADA Compliant

Specifications

Cover Material	Die cast aluminum
Flange height	0.13 in.
Adjustment Range	0 - 1.0 inch
Load Rating	800 lbs. (w/ 2x safety factor)
Cover Finish	Brass powder paint
Egress Door Openings	4.29" x 1"

HUBBELL



Related Products

Compatible with CFB2G25, CFB2G25CR, CFB2G30, CFB2G30CR, CFB4G25, CFB4G25CR, CFB4G30 and

Cover Mounting Hardware Factory Installed

Divider Kit Ships with Cover to Maintain Separation between Line and Low Voltage Wiring

Online Resources

Customer Sales Drawings
eCatalog
Installation Instructions

Dimensions in Inches (mm)

Hubbell Wiring Device-Kellems • Hubbell Incorporated (Delaware) • 40 Waterview Drive • Shelton, CT 06484

Phone (800) 288-6000 • Fax (800) 255-1031 • Specifications subject to change without notice.

