

Floor Boxes

SystemOne Recessed 2 Gang Furniture Feed Floor Box Cover

For Use In Raised Access and Wood Floors

Features

- Furniture Feed Style Cover
- (1) 2" Threaded Hub & (1) 1" Threaded Hub w/ 3/4" Reducer
- Die cast aluminum cover construction for enhanced durability
- UL ScrubWater Compliant
- ADA Compliant

Ordering Information

Style	Finish	UPC	Catalog Number
Raised Access / Wood Cover	Aluminum	783585526928	2GAFBFCVRL U

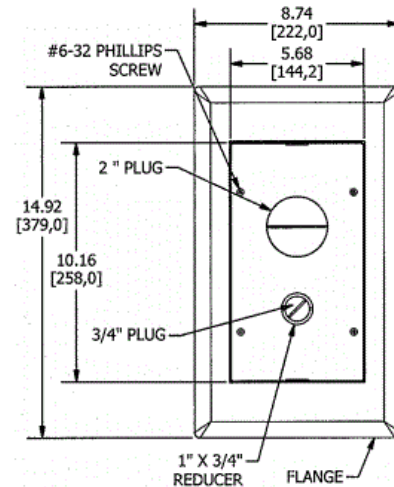
Listings

cULus Listed
Complies with UL514A Scrubwater
ADA Compliant

Specifications

Cover Material	Die cast aluminum
Flange height	0.13 in.
Adjustment Range	0 - 1.0 inch
Load Rating	800 lbs. (w/ 2x safety factor)
Cover Finish	Aluminum powder paint

HUBBELL



Related Products

Compatible with AFB2G25 and
AFB2G50 Series Boxes

Cover Mounting Hardware Factory
Installed

Online Resources

Customer Sales Drawings
eCatalog
Installation Instructions

Dimensions in Inches (mm)

Hubbell Wiring Device-Kellems • Hubbell Incorporated (Delaware) • 40 Waterview Drive • Shelton, CT 06484

Phone (800) 288-6000 • Fax (800) 255-1031 • Specifications subject to change without notice.

