

## Floor Boxes

# SystemOne Recessed 2 Gang Furniture Feed Floor Box Cover

For Use In Concrete Floors

### Features

- 180 degree cover opening to lay flat and reduce tripping hazards
- Two large cable egress doors
- Die cast aluminum cover construction for enhanced durability
- Up to 1 in. of upward post pour adjustment
- ADA Compliant

### Ordering Information

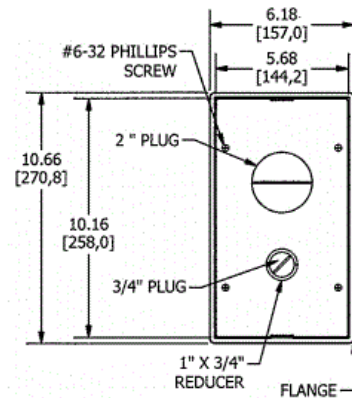
- Compatible with CFB2G25, CFB2G25CR, CFB2G30 and CFB2G30CR
- Flush style typical applications: Tile, Finished Concrete, Terrazo

<b>Catalog Number</b> 2GTFFCVRNK	<b>UPC Number</b> 783585527680	<b>Style</b> Flush	<b>Finish</b> Nickel Powder Coat
<b>Dimensions</b> 6-3/16 x 10-5/8 in.	<b>Floor Finish Insert</b> No		

### Specifications

Cover Material	Aluminum
Flange height	0.0 in.
Adjustment Range	0 - 1.0 inch
Load Rating	800 lbs. (w/ 2x safety factor)
Power Opening	1 in.
Low Voltage Opening	2 in.

# HUBBELL



### Online Resources

[Customer Use Drawing](#)  
[eCatalog](#)  
[Installation Instructions](#)

Dimensions in Inches (mm)

Hubbell Wiring Device-Kellems • Hubbell Incorporated (Delaware) • 40 Waterview Drive • Shelton, CT 06484

Phone (800) 288-6000 • Fax (800) 255-1031 • Specifications subject to change without notice.

