

Floor Boxes

2-Gang

Recessed Concrete Floor Boxes

HUBBELL

Features

- Threaded conduit access holes for power
- Corrosion resistant for on-grade applications
- Oversized threaded conduit access holes for low voltage



Ordering Information

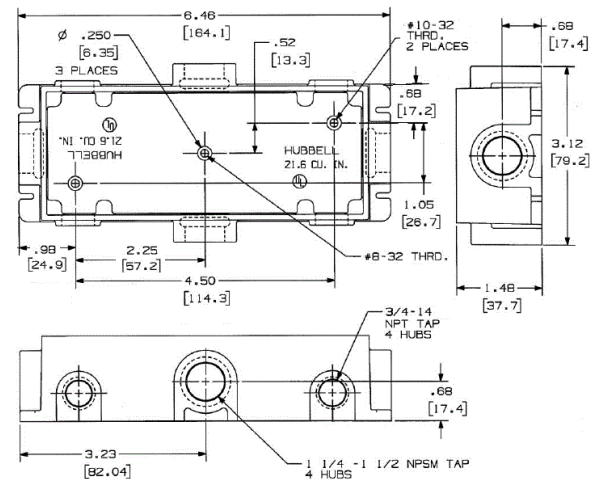
Description	Material	UPC	Catalog Number
Recessed 2-Gang,	Cast Iron	783585784618	3SFBC

Listings

UL File Number E31999
CSA File Number LR18416

Specifications

Size	2-Gang
Min. Depth of Pour	3.00" (76.2)
Cubic Capacity	21.6 cu. in. (354.0 cm ³)



Online Resources

[Customer Use Drawing](#)
[eCatalog](#)
[Installation Instructions](#)

Dimensions in Inches (mm)

Hubbell Wiring Device-Kellems • Hubbell Incorporated (Delaware) • 40 Waterview Drive • Shelton, CT 06484

Phone (800) 288-6000 • Fax (800) 255-1031 • Specifications subject to change without notice.

