

Floor Boxes

Face Plates

HUBBELL

Ordering Information

Description	Device Color	UPC	Catalog Number
Style Line® Decorator	Steel	783585784700	3SFBD5

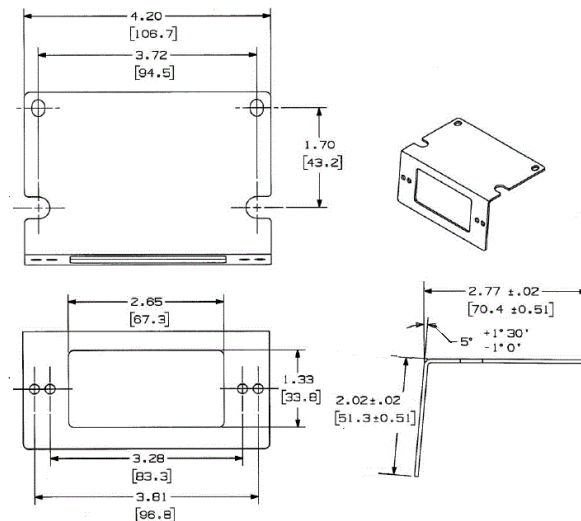


Listings

UL File Number E31999
CSA File Number LR18416

Specifications

Material	Steel
----------	-------



Online Resources

[Customer Use Drawing](#)
[eCatalog](#)
[Installation Instructions](#)

Dimensions in Inches (mm)

Hubbell Wiring Device-Kellems • Hubbell Incorporated (Delaware) • 40 Waterview Drive • Shelton, CT 06484

Phone (800) 288-6000 • Fax (800) 255-1031 • Specifications subject to change without notice.

