

Straight Blade Devices
 15A, 125V, 2 Pole, 3 Wire Grounding
 Hubbell-Pro™ Heavy Duty Duplex
 Receptacles

HUBBELL

Features

- Weather-resistance complies with national electrical code requirements
- Compact design
- Finder Groove Face
- Triple wipe contacts

Ordering Information

Description	Device Color	UPC	Catalog Number
Weather-Resistant, finder groove nylon face	Brown	783585358567	5262WR

Listings

UL Listed to UL498 File No. E2186
 Certified to CSA 22.2, No. 42 File 285
 Fed. Spec. W-C596G
 NEMA® WD-6 Compliant

Specifications

Material	Thermoplastic/Composite
Power Contacts	.031 in. (.8) Brass
Ground Contacts	.031" (.8) Brass
Clamp	Stainless steel
Terminal Screws	Brass
Mounting Strap	.040" (1) Galvanized steel
Automatic Self-grounding	Stainless steel
Staple	
Mounting Screws	Stainless Steel

Performance

Electrical

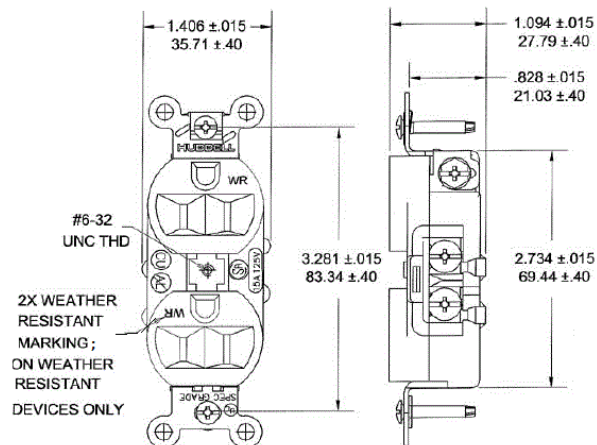
Current Interrupting Certified for current interrupting at full rated current
 Dielectric Voltage Withstands 2,000V minimum

Mechanical

Product Identification Ratings are a permanent part of the device
 Terminal Accommodation #14-#10 AWG copper stranded or solid conductor only
 Terminal Identification Terminals identified in accordance with UL 498 and CSA

Environmental

Flammability UL 94 V-2
 Operating Temperatures Maximum continuous 75°C; minimum -40°C (w/o impact)



Accessories

Wallplate or Weatherproof Cover Duplex Opening

Resources

Customer Use Drawing
 eCatalog

Dimensions in Inches (mm)

Hubbell Wiring Device-Kellems • Hubbell Incorporated (Delaware) • 40 Waterview Drive • Shelton, CT 06484

Phone (800) 288-6000 • Fax (800) 255-1031 • Specifications subject to change without notice.

