

## Floor Boxes

# SystemOne Recessed 6 and 10 Gang Floor Box Cover For Use In Concrete Floors

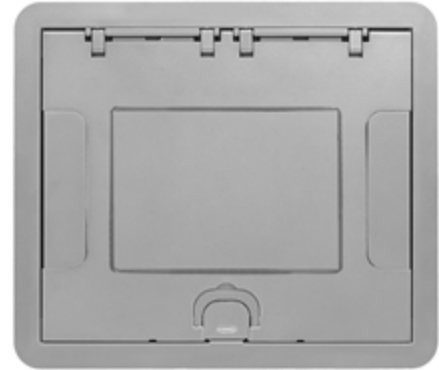
# HUBBELL

## Features

- 180 degree cover opening to lay flat and reduce tripping hazards
- Two large hide-away cable egress doors
- Die cast aluminum cover construction for enhanced durability
- UL ScrubWater Compliant
- ADA Compliant

## Ordering Information

<b>Style</b> Surface Cover	<b>Finish</b> Aluminum	<b>UPC</b> 783585527314	<b>Catalog Number</b> 610GCCVREALUC
-------------------------------	---------------------------	----------------------------	----------------------------------------



## Listings

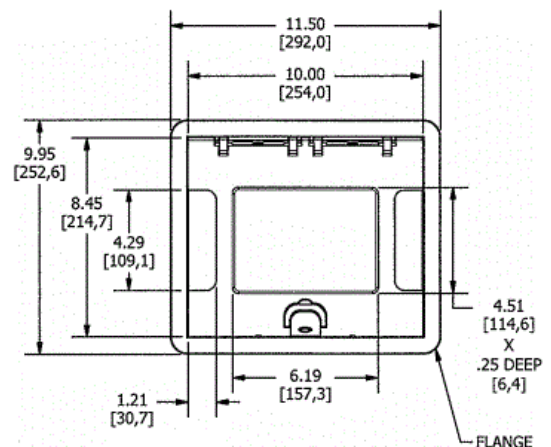
cULus Listed  
Complies with UL514A Scrubwater  
ADA Compliant

## Specifications

Cover Material	Die cast aluminum
Flange height	0.13 in.
Adjustment Range	0 - 1.0 inch
Load Rating	1500 lbs. (w/ 2x safety factor)
Cover Finish	Aluminum powder paint
Egress Door Openings	4.29" x 1"

## Performance

**Carpet Insert Pocket**  
6.19" x 4.51" x 0.25"



## Related Products

Compatible with CFB6G30,  
CFB6G30CR, CFB45G55, CFB45G55R,  
CFB10G55 and CFB10G55CR Series

Cover Mounting Hardware Factory  
Installed

## Online Resources

Customer Sales Drawings  
eCatalog  
Installation Instructions

Dimensions in Inches (mm)

Hubbell Wiring Device-Kellems • Hubbell Incorporated (Delaware) • 40 Waterview Drive • Shelton, CT 06484

Phone (800) 288-6000 • Fax (800) 255-1031 • Specifications subject to change without notice.

