

## Floor Boxes

# SystemOne Recessed 6 and 10 Gang Floor Box Cover For Use In Concrete Floors

### Features

- Surface Furniture Feed Cover
- (2) 2" Threaded Hub & (2) 1" Threaded Hub w/ 3/4" Reducer
- Die cast aluminum cover construction for enhanced durability
- UL ScrubWater Compliant
- ADA Compliant

### Ordering Information

| Style         | Finish   | UPC          | Catalog Number   |
|---------------|----------|--------------|------------------|
| Surface Cover | Aluminum | 783585590936 | 610GCFVCVRL<br>U |

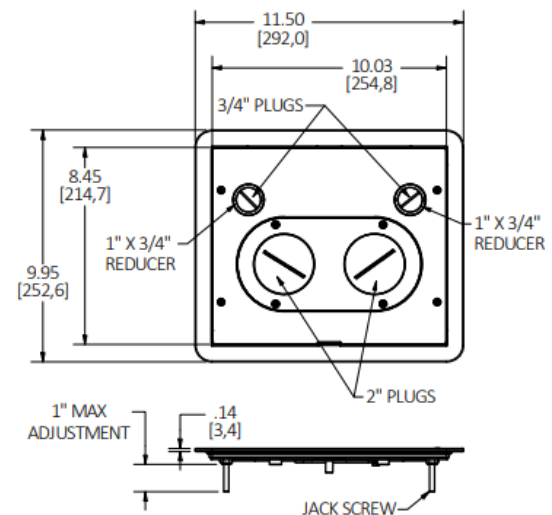
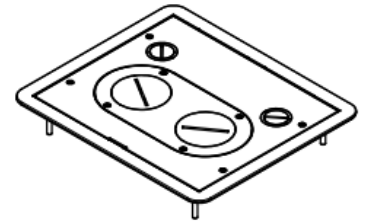
### Listings

cULus Listed  
Complies with UL514A Scrubwater  
ADA Compliant

### Specifications

|                  |                                 |
|------------------|---------------------------------|
| Cover Material   | Die cast aluminum               |
| Flange height    | 0.14 in.                        |
| Adjustment Range | 0 - 1.0 inch                    |
| Load Rating      | 1000 lbs. (w/ 2x safety factor) |
| Cover Finish     | Aluminum powder paint           |

# HUBBELL



### Related Products

Compatible with CFB6G30,  
CFB6G30CR, CFB10G55 and  
CFB10G55CR Series Boxes

Cover Mounting Hardware Factory  
Installed

Divider Kit Purchased Separately to  
Maintain Separation between Line and  
Low Voltage Wiring

### Online Resources

Customer Sales Drawings  
eCatalog  
Installation Instructions

Dimensions in Inches (mm)

Hubbell Wiring Device-Kellems • Hubbell Incorporated (Delaware) • 40 Waterview Drive • Shelton, CT 06484

Phone (800) 288-6000 • Fax (800) 255-1031 • Specifications subject to change without notice.

