

# H-MOSS® Controls Adaptive Dual Technology Wall Switches

# HUBBELL

## Features

- Dual technology sensing combines the individual advantages of passive infrared and ultrasonic detection
- No neutral required
- Built in photocell with manual super saver mode for daylight harvesting
- Impact resistant hard lens is standard and color matched to the switch

## Ordering Information

| Description   | Device Color | UPC Number   | Catalog Number |
|---|--------------|--------------|----------------|
| Dual (ultrasonic and passive infrared), Auto control with no button | Black        | 783585413167 | AD2000BK1N     |

## Listings

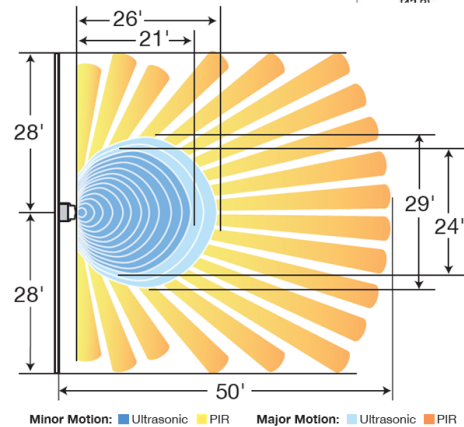
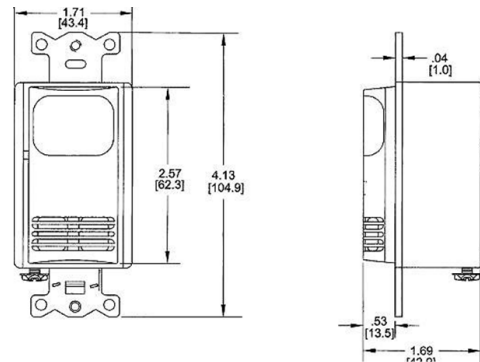
cULus Listed  
Meets ASHRAE 90.1  
CEC Title 24 Certified

## Specifications

|                   |   |
|-------------------|---|
| Housing           | High impact plastic (UL-94-5V)                              |
| Mounting Strap    | Plated steel  |
| Lens              | Dual element pyrometer and 12 element cylindrical hard lens |
| Sensing Indicator | Passive Infrared, Red LED. Ultrasonic, Green LED.           |

## Performance

|                         |   |
|-------------------------|---|
| <b>Electrical</b>       |   |
| Load Capacity           | Incandescent - 0 to 800 watts, 120V AC Ballast - 0 to 1000 watts, 277V AC Ballast 0 to 1800 watts               |
| Power Supply            | 120/277V AC, 50/60Hz  |
| <b>Mechanical</b>       |   |
| Wire Leads              | #18 AWG stranded wire, 6" long with 1/2" stripped ends  |
| <b>Environmental</b>    |   |
| Operating Temperature   | 32°F to 104°F (0°C to 40°C); 0% to 95% non-condensing relative humidity   |
| <b>Controls</b>         |   |
| Ambient Light           | Adjustable ambient light override, 10 to 500 foot candles   |
| <b>Sensitivity</b>      |   |
| Time Delay              | Adaptive 0% to 100%<br>Digital, adaptive 4 to 30 minutes  |
| <b>Coverage Pattern</b> |   |
| Area                    | 1000 square foot. Area of coverage based on passive infrared technology minor motion pattern. See illustration. |
| Mounting Height         | 42 to 54 inches above floor   |



## Complementary Products

Wallplate NP26BK, SS26

## Online Resources

Customer Use Drawing  
eCatalog  
Installation Instructions

Dimensions in Inches (mm)

Hubbell Wiring Device-Kellems • Hubbell Incorporated (Delaware) • 40 Waterview Drive • Shelton, CT 06484

Phone (800) 288-6000 • Fax (800) 255-1031 • Specifications subject to change without notice.

