

## Floor Boxes

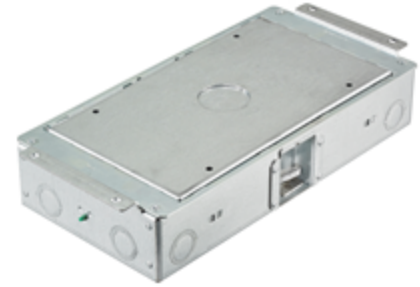
### SystemOne Recessed 2 Gang Floor Box

For use in Raised Access or Wood Floors

# HUBBELL

#### Features

- 2 1/2 in. box depth
- Stamped steel construction
- 1/2 and 3/4" knock-outs
- Recessed connections or furniture feed applications
- Rectangular covers



#### Ordering Information

- Temporary cover for use prior to trim-out
- 6 inch solid conductor ground pigtail in each gang

Catalog Number	UPC Number	Cover Series	Box Type
AFB2G25	783585447186	2GAFBxx / 2GAFBFFxx	Raised Access
Device Volume	Depth Behind Mounting Plate	Max. Tile Thickness	Min. Tile Thickness
30 cu in.	2 3/4 in..	2 in.	3/4 in.

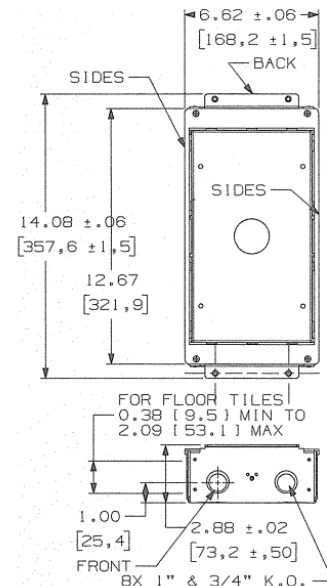
#### Specifications

Box Material	16 gauge galvanized steel
Access Cover Material (ordered separately)	Die cast aluminum

#### Required

##### Cover

- AFB Style Rectangular Covers (for use with carpet, [Click here](#) tile, VCT and other engineered floors)



#### Online Resources

Customer Use Drawing  
eCatalog  
Installation Instructions

Dimensions in Inches (mm)

Hubbell Wiring Device-Kellems • Hubbell Incorporated (Delaware) • 40 Waterview Drive • Shelton, CT 06484

Phone (800) 288-6000 • Fax (800) 255-1031 • Specifications subject to change without notice.

