

Floor Boxes

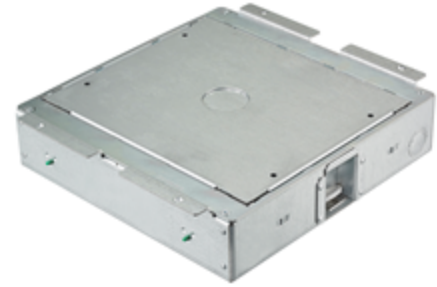
SystemOne Recessed 4 Gang Floor Box

For use in Raised Access or Wood Floors

HUBBELL

Features

- 2 1/2 in. box depth
- Stamped steel construction
- No knock outs
- Patent pending, labor saving, easy mount device plates
- Rectangular covers



Ordering Information

- Temporary cover for use prior to trim-out
- 6 inch solid conductor ground pigtail in each gang

| Catalog Number | UPC Number | Cover Series | Box Type |
|----------------|-----------------------------|---------------------|---------------------|
| AFB4G25CHI | 783585447346 | 4GAFBxx | Raised Access |
| Device Volume | Depth Behind Mounting Plate | Max. Tile Thickness | Min. Tile Thickness |
| 26 1/2 cu in. | 2 3/4 in.. | 2 in. | 3/4 in. |

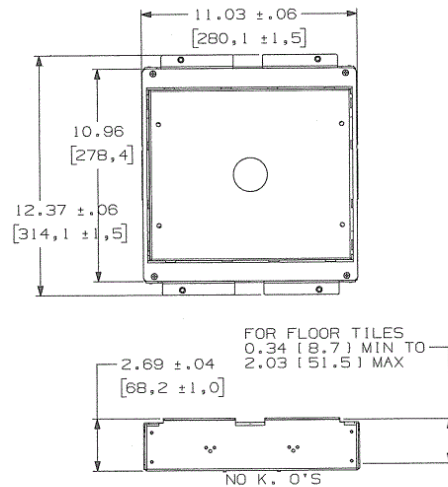
Specifications

| | |
|--|---------------------------|
| Box Material | 16 gauge galvanized steel |
| Access Cover Material (ordered separately) | Die cast aluminum |

Required

Cover

- AFB Style Rectangular Covers (for use with carpet, [Click here](#) tile, VCT and other engineered floors)



Online Resources

Customer Use Drawing
eCatalog
Installation Instructions

Dimensions in Inches (mm)

Hubbell Wiring Device-Kellems • Hubbell Incorporated (Delaware) • 40 Waterview Drive • Shelton, CT 06484

Phone (800) 288-6000 • Fax (800) 255-1031 • Specifications subject to change without notice.

