

## Floor Boxes

### SystemOne Recessed 4 Gang Floor Box

For use in Raised Access or Wood Floors

# HUBBELL

#### Features

- 5 in. box depth
- Stamped steel construction
- No knock outs
- Patent pending, labor saving, easy mount device plates
- Rectangular covers

#### Ordering Information

- Temporary cover for use prior to trim-out
- 6 inch solid conductor ground pigtail in each gang

Catalog Number	UPC Number	Cover Series	Box Type
AFB4G50CHI	783585447353	4GAFBxx	Raised Access
Device Volume	Depth Behind Mounting Plate	Max. Tile Thickness	Min. Tile Thickness
57 1/2 cu in.	2 3/4 in..	2 in.	3/4 in.

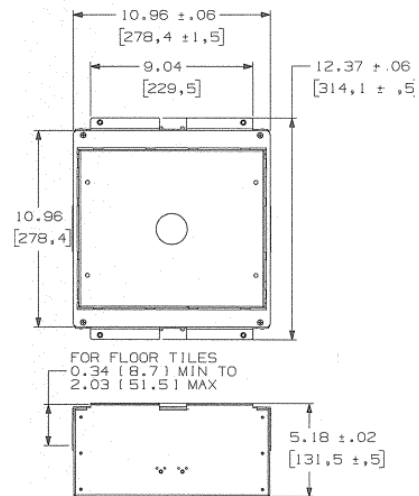
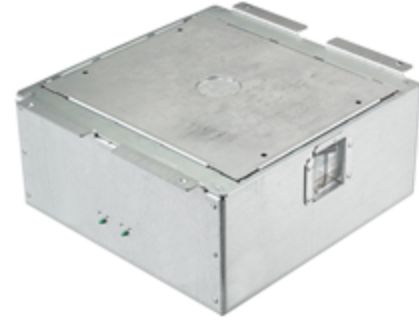
#### Specifications

Box Material	16 gauge galvanized steel
Access Cover Material (ordered separately)	Die cast aluminum

#### Required

##### Cover

- AFB Style Rectangular Covers (for use with carpet, [Click here](#) tile, VCT and other engineered floors)



#### Online Resources

Customer Use Drawing  
eCatalog  
Installation Instructions

Dimensions in Inches (mm)

Hubbell Wiring Device-Kellems • Hubbell Incorporated (Delaware) • 40 Waterview Drive • Shelton, CT 06484

Phone (800) 288-6000 • Fax (800) 255-1031 • Specifications subject to change without notice.

