

# Floor Boxes

## Unloaded Raised Access Floor Boxes



### Features

- Hinged cable egress port
- Pigtail terminates beneath raised floor
- Oversized opening provided with grommet for low-voltage

### Ordering Information

Description	Cover Color	UPC	Catalog Number
3-Gang Power and	Black	783585213064	AFB801BK

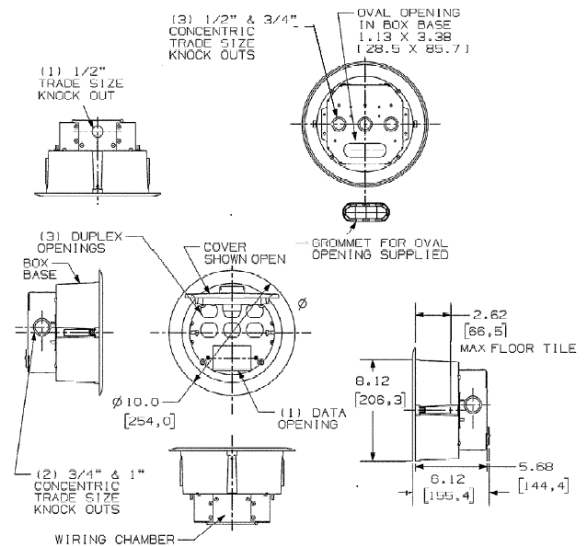


### Listings

UL File #E197203  
CSA File #LR702145

### Specifications

Access Style	3-Gang
Material	Stamped Steel
Max. Floor Thickness	2.62" (66.5)
Cubic Capacity	17.1 cu. in. (280 cm <sup>3</sup> )
Floor Tile Cut-Out	8.375" Diameter



### Online Resources

- Customer Use Drawing
- eCatalog
- Installation Instructions

Dimensions in Inches (mm)

Hubbell Wiring Device-Kellems • Hubbell Incorporated (Delaware) • 40 Waterview Drive • Shelton, CT 06484

Phone (800) 288-6000 • Fax (800) 255-1031 • Specifications subject to change without notice.

