

Floor Boxes  
 SystemOne 4" Round Recessed Boxes  
 For use in Raised Access or Wood Floors

# HUBBELL

## Features

- AFBS1R4BASE with AFBS1R4CVRBRS
- Durable plated finished cover
- 0.15" flange thickness complies with ADA requirements
- UL 514A listed

## Ordering Information

Description	Device Color	UPC Number	Catalog Number
4" Recessd Box/Cover	Brass Cover	783585545257	AFBS1R4BRS

## Listings

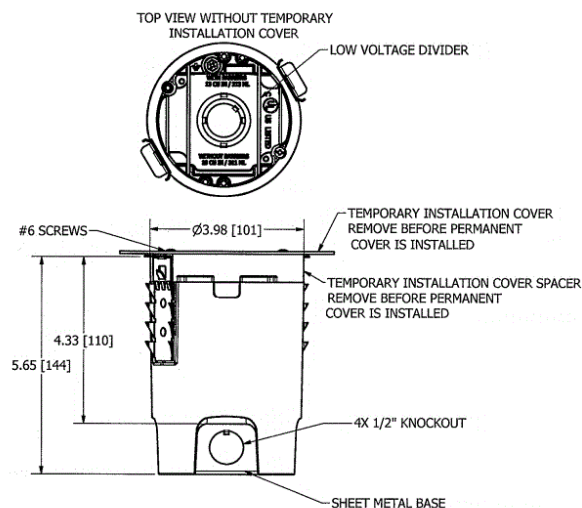
UL 514A listed

## Specifications

Box	Cast Aluminum
Box Bottom	Steel, Galvanized
Cover Flange	Aluminum
Cover	Aluminum
Access Door	Aluminum
Divider	Steel, Galvanized

## Performance

Performance	
Cover Load Rating	300 lbs. for a static load applied through a 3 inch mandrel



## Online Resources

Customer Use Drawing  
 eCatalog  
 Installation Instructions

Dimensions in Inches (mm)

Hubbell Wiring Device-Kellems • Hubbell Incorporated (Delaware) • 40 Waterview Drive • Shelton, CT 06484

Phone (800) 288-6000 • Fax (800) 255-1031 • Specifications subject to change without notice.

