

Floor Boxes
 SystemOne 4" Round Recessed Boxes
 For use in Raised Access or Wood Floors

HUBBELL

Features

- AFBS1R4BASE with AFBS1R4CVRBRZ
- Durable plated finished cover
- 0.15" flange thickness complies with ADA requirements
- UL 514A listed

Ordering Information

Description	Device Color	UPC Number	Catalog Number
4" Recessed Box/Cover	Antique Bronze Cover	783585545264	AFBS1R4BRZ

Listings

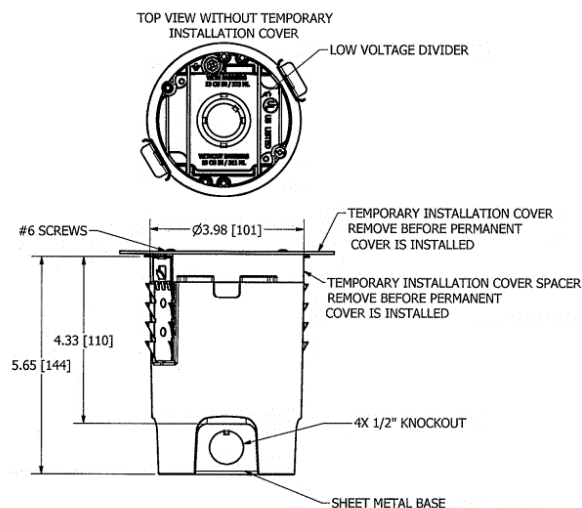
UL 514A listed

Specifications

Box	Cast Aluminum
Box Bottom	Steel, Galvanized
Cover Flange	Aluminum
Cover	Aluminum
Access Door	Aluminum
Divider	Steel, Galvanized

Performance

Performance	
Cover Load Rating	300 lbs. for a static load applied through a 3 inch mandrel



Online Resources

Customer Use Drawing
 eCatalog
 Installation Instructions

Dimensions in Inches (mm)

Hubbell Wiring Device-Kellems • Hubbell Incorporated (Delaware) • 40 Waterview Drive • Shelton, CT 06484

Phone (800) 288-6000 • Fax (800) 255-1031 • Specifications subject to change without notice.

