

Floor Boxes
SystemOne 4" Round Recessed Floor Box Cover
Raised Access or Wood Floor Box Cover

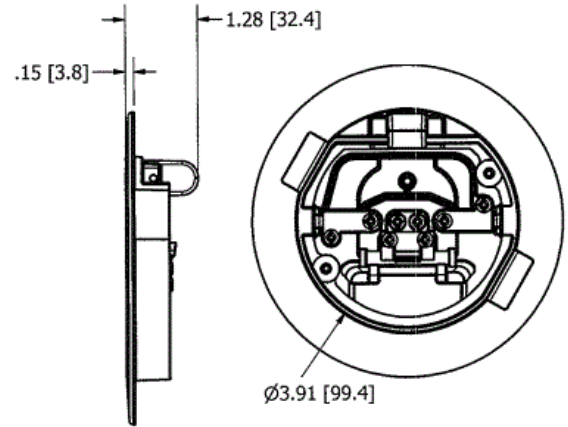
HUBBELL

Features

- 0.15" flange thickness complies with ADA requirements
- 180 degree cover opening to lay flat and reduce tripping hazards
- Durable plated finish
- UL 514A listed

Ordering Information

Description	Device Color	UPC Number	Catalog Number
4" Recessed Cover	Antique Bronze	783585545332	AFBS1R4CVRBRZ



Listings

UL 514A listed

Online Resources

Customer Use Drawing
eCatalog
Installation Instructions

Specifications

Cover Flange	Aluminum
Cover	Aluminum
Access Door	Aluminum
Mounting Hardware	Zinc Plated Steel

Performance

Performance	
Cover Load Rating	300 lbs. for a static load applied through a 3 inch mandrel

Dimensions in Inches (mm)

Hubbell Wiring Device-Kellems • Hubbell Incorporated (Delaware) • 40 Waterview Drive • Shelton, CT 06484

Phone (800) 288-6000 • Fax (800) 255-1031 • Specifications subject to change without notice.

