

Floor Boxes
SystemOne 6" Furniture Feed Boxes
For use in Raised Access or Wood Floors

HUBBELL

Features

- 0.15" flange thickness complies with ADA requirements

Ordering Information

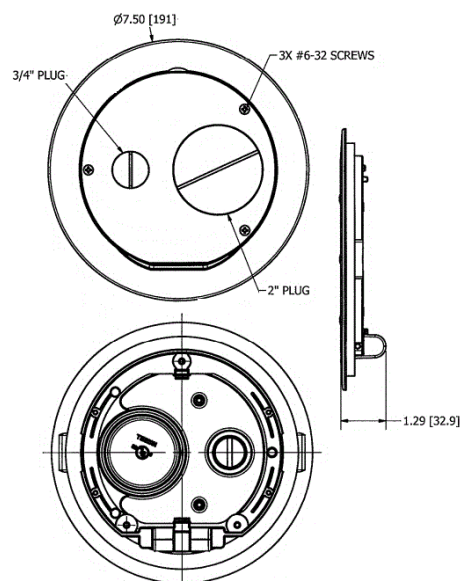
Description 6" Cover	Device Color Aluminum Cover	UPC Number 783585545097	Catalog Number AFBS1R6FFCVRA LU
--------------------------------	---------------------------------------	-----------------------------------	--

Listings

UL 514A listed

Specifications

Cover Flange	Aluminum
Cover	Aluminum
Threaded Plugs	Aluminum
Gasket	Elastomer



Online Resources

eCatalog

Dimensions in Inches (mm)

Hubbell Wiring Device-Kellems • Hubbell Incorporated (Delaware) • 40 Waterview Drive • Shelton, CT 06484

Phone (800) 288-6000 • Fax (800) 255-1031 • Specifications subject to change without notice.

