

Floor Boxes
 SystemOne 6" Furniture Feed Boxes
 For use in Raised Access or Wood Floors

HUBBELL

Features

- 0.15" flange thickness complies with ADA requirements

Ordering Information

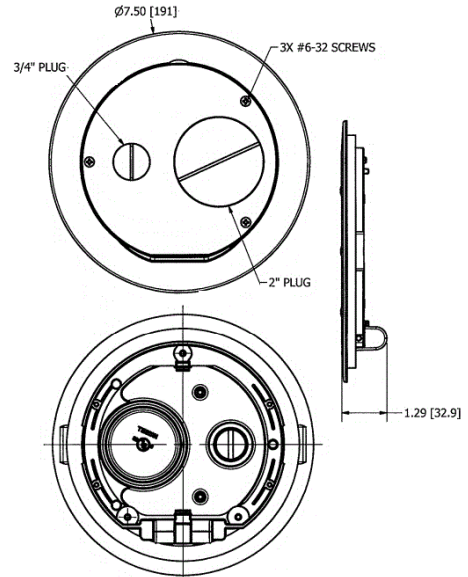
Description	Device Color	UPC Number	Catalog Number
6" Cover	Brass	783585545110	AFBS1R6FFCVRB RS

Listings

UL 514A listed

Specifications

Cover Flange	Aluminum
Cover	Aluminum
Threaded Plugs	Aluminum
Gasket	Elastomer



Online Resources

eCatalog

Dimensions in Inches (mm)

Hubbell Wiring Device-Kellems • Hubbell Incorporated (Delaware) • 40 Waterview Drive • Shelton, CT 06484

Phone (800) 288-6000 • Fax (800) 255-1031 • Specifications subject to change without notice.

