

H-MOSS® Controls Adaptive Ultrasonic Wall Switches Wall Switches

HUBBELL

Features

- Auto or manual "ON" operating modes. Available in either single relay or dual relay versions
- No neutral required
- Adaptive technology analyzes environment and adjusts sensitivity and timer, eliminating the need for manual adjustment
- Designed for use on 120 or 277V AC circuits. No neutral needed for fast retrofits

Ordering Information

Description	Device Color	UPC Number	Catalog Number
Ultrasonic, Single Circuit, 1 button for manual/auto control	Gray	783585413754	AU2000GY1

Listings

cULus Listed
Meets ASHRAE 90.1
CEC Title 24 Certified

Specifications

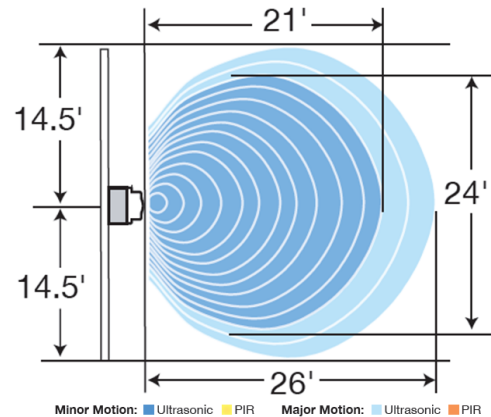
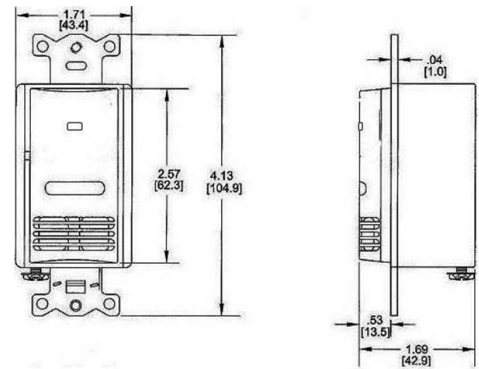
Housing	High impact plastic (UL-94-5V)
Mounting Strap	Plated steel
Sensing Indicator	Ultrasonic, Green LED

Performance

Electrical	
Load Capacity	Incandescent - 0 to 800 watts, 120V AC Ballast - 0 to 1000 watts, 277V AC Ballast 0 to 1800 watts
Power Supply	120/277V AC, 50/60Hz
Mechanical	
Wire Leads	#18 AWG stranded wire, 6" long with ½" stripped ends
Environmental	
Operating Temperature	32° F to 104°F (0°C to 40°C); 0% to 95% non-condensing relative humidity
Controls	
Ambient Light	Adjustable ambient light override, 10 to 500 foot candles
Front Press Switch	Auto/Manual "ON" operating mode
Sensitivity	Adaptive 0% to 100%
Time Delay	Digital, adaptive 4 to 30 minutes, 20 minutes default

Coverage Pattern

Area	400 square foot. Area of coverage based on minor motion pattern. See illustration.
Mounting Height	42 to 54 inches above floor



Complementary Products

Wallplate	NP26GY, SS26
-----------	--------------

Online Resources

Customer Use Drawing
eCatalog
Installation Instructions

Dimensions in Inches (mm)

Hubbell Wiring Device-Kellems • Hubbell Incorporated (Delaware) • 40 Waterview Drive • Shelton, CT 06484

Phone (800) 288-6000 • Fax (800) 255-1031 • Specifications subject to change without notice.

