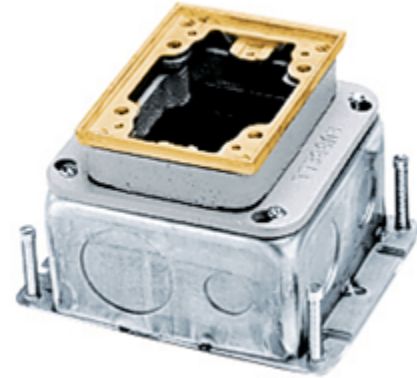


Floor Boxes
Flush Rectangular Stamped Steel
Concrete Floor Boxes

HUBBELL

Features

- Stamped steel construction
- Concentric knockouts permit various conduit sizes
- Economical and light weight for above-grade applications



Ordering Information

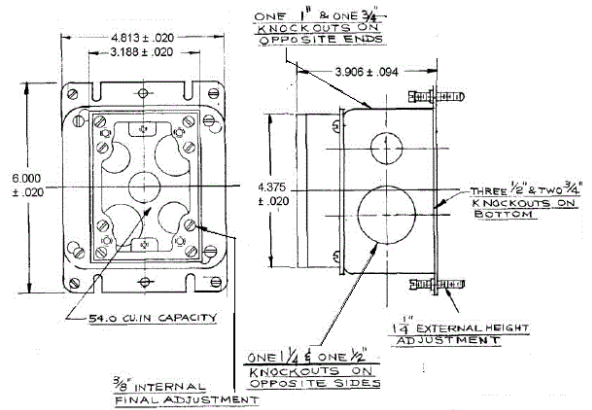
| Description | Style | UPC | Catalog Number |
|--------------|---------------|--------------|----------------|
| 1-Gang Deep, | Stamped Steel | 783585100104 | B2427 |

Listings

UL File Number E92074
 CSA File Number LR18416

Specifications

| | |
|--------------------|---------------------------------------|
| Collar Material | Brass |
| Size | 1-Gang |
| Min. Depth of Pour | 4.00" (101.6) |
| Cubic Capacity | 54.0 cu. in. (884.9 cm ³) |



Online Resources

- Customer Use Drawing
- eCatalog
- Installation Instructions

Dimensions in Inches (mm)

Hubbell Wiring Device-Kellems • Hubbell Incorporated (Delaware) • 40 Waterview Drive • Shelton, CT 06484

Phone (800) 288-6000 • Fax (800) 255-1031 • Specifications subject to change without notice.

