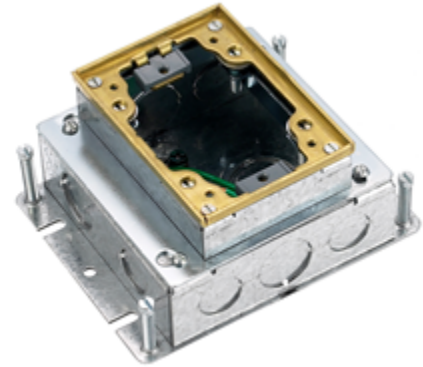


Floor Boxes
Flush Rectangular Stamped Steel
Concrete Floor Boxes

HUBBELL

Features

- Stamped steel construction
- Concentric knockouts permit various conduit sizes
- Economical and light weight for above-grade applications



Ordering Information

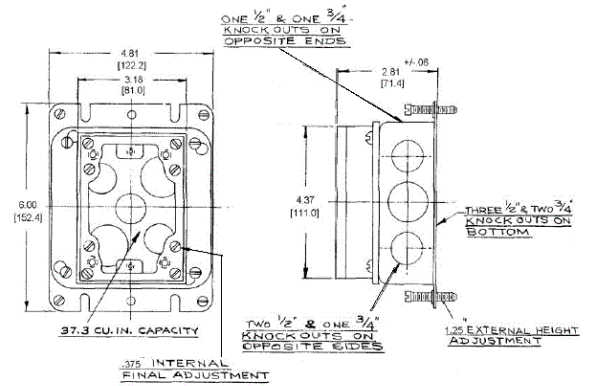
| Description | Style | UPC | Catalog Number |
|-----------------|---------------|--------------|----------------|
| 1-Gang Shallow, | Stamped Steel | 783585100203 | B2429 |

Listings

UL File Number E92074
 CSA File Number LR18416

Specifications

| | |
|--------------------|---------------------------------------|
| Collar Material | Brass |
| Size | 1-Gang |
| Min. Depth of Pour | 3.00" (76.2) |
| Cubic Capacity | 37.3 cu. in. (611.2 cm ³) |



Online Resources

- Customer Use Drawing
- eCatalog
- Installation Instructions

Dimensions in Inches (mm)

Hubbell Wiring Device-Kellems • Hubbell Incorporated (Delaware) • 40 Waterview Drive • Shelton, CT 06484

Phone (800) 288-6000 • Fax (800) 255-1031 • Specifications subject to change without notice.

