

Floor Boxes
Flush Rectangular Stamped Steel
Concrete Floor Boxes

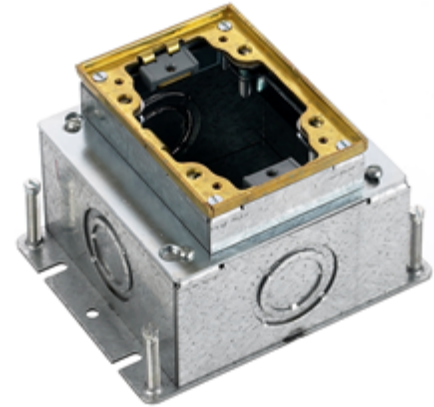


Features

- Stamped steel construction
- Concentric knockouts permit various conduit sizes
- Economical and light weight for above-grade applications

Ordering Information

Description	Style	UPC	Catalog Number
1-Gang Deep,	Stamped Steel	783585100210	B2431

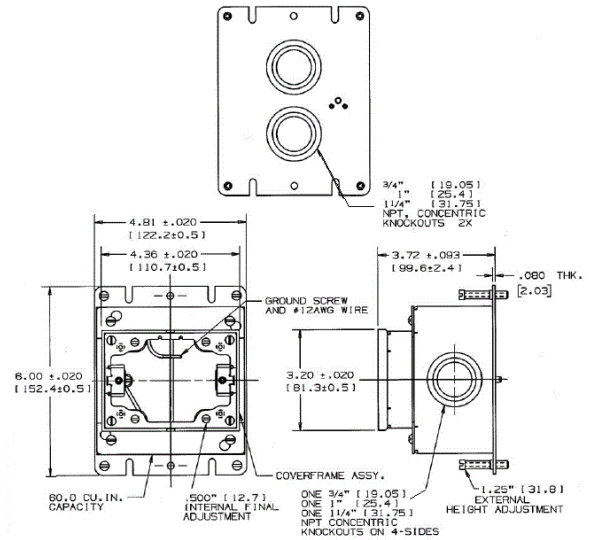


Listings

UL File Number E92074
 CSA File Number LR18416

Specifications

Collar Material	Brass
Size	1-Gang
Min. Depth of Pour	3.75" (95.3)
Cubic Capacity	60.0 cu. in. (983.2 cm ³)



Online Resources

- Customer Use Drawing
- eCatalog
- Installation Instructions

