

Floor Boxes
 Flush Rectangular Cast Iron
 Concrete Floor Boxes

HUBBELL

Features

- Corrosion resistant for on-grade applications
- Gray Powder Coat Paint
- Adjustable Before and After Concrete Pour

Ordering Information

Description	Collar Material	UPC Number	Catalog Number
Single Gang Floor Box	Brass	783585100302	B2436

Listings

UL Listed File Number E92074
 CSA File Number LR18416

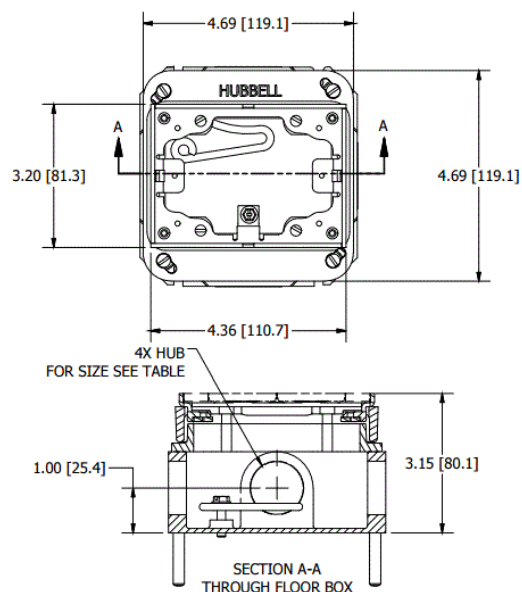
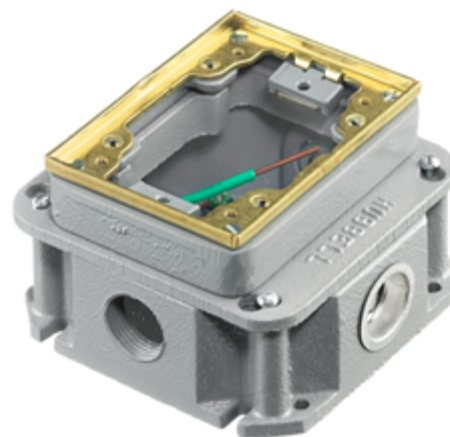
Specifications

Style	Cast Iron
Capacity Per Gang	33.0 cu. in. (540.7 cm ³)
Threaded NPT Hubs	(4) 3/4"

Performance

Installation Information

Min. Depth of Pour	3.75" (95.3)
Post Pour Adjustment	0.38"



Complementary Products

Replacement Collar	C2400
Replacement Brass Cover Flange	S5017A

Online Resources

Customer Use Drawing
 eCatalog
 Installation Instructions

Dimensions in Inches (mm)

Hubbell Wiring Device-Kellems • Hubbell Incorporated (Delaware) • 40 Waterview Drive • Shelton, CT 06484

Phone (800) 288-6000 • Fax (800) 255-1031 • Specifications subject to change without notice.

