

Floor Boxes

Flush Floor Boxes for Wooden Floors



Features

- Stamped steel construction
- Concentric knockouts permit various conduit sizes
- Economical and light weight for above-grade applications



Ordering Information

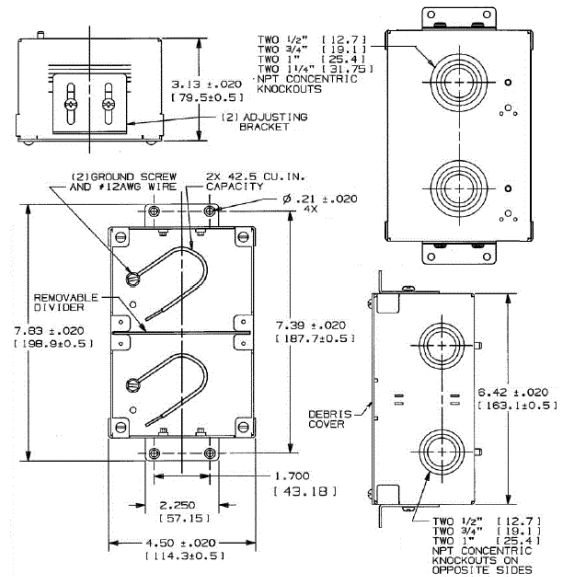
Description	Style	UPC	Catalog Number
Rectangular Stamped	2-Gang	783585104287	B2482

Listings

UL File Number E31999
CSA File Number LR18416

Specifications

Material	Stamped Steel
Collar Material	Brass
Cubic Capacity	42.5 cu. in. (696.5 cm ³)



Online Resources

- [Customer Use Drawing](#)
- [eCatalog](#)
- [Installation Instructions](#)

Dimensions in Inches (mm)

Hubbell Wiring Device-Kellems • Hubbell Incorporated (Delaware) • 40 Waterview Drive • Shelton, CT 06484

Phone (800) 288-6000 • Fax (800) 255-1031 • Specifications subject to change without notice.

