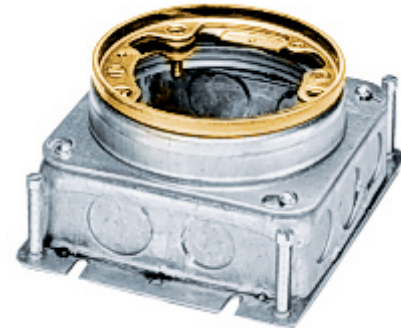


Floor Boxes
Flush Round Single Service
Metal Concrete Floor Boxes

HUBBELL

Features

- Stamped steel construction
- Concentric knockouts permit various conduit sizes
- Economical and light weight for above-grade applications



Ordering Information

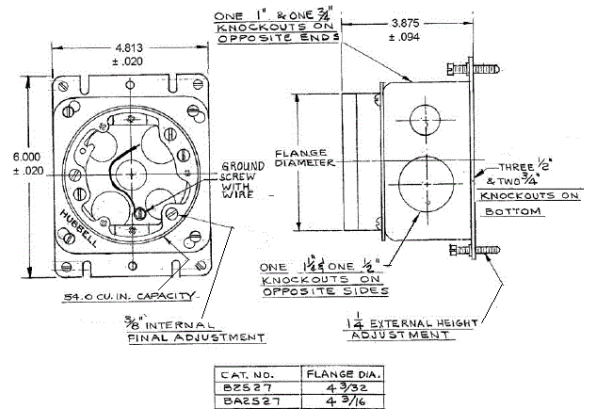
Description	Collar Material	UPC	Catalog Number
Round Metallic Floor	Brass	783585101705	B2527

Listings

UL File Number E31999
 CSA File Number LR18416

Specifications

Style	Stamped Steel
Min. Depth of Pour	4.00" (101.6)
Cubic Inch Capacity	30.0 cu. in. (491.6 cm3)



Online Resources

Customer Use Drawing
 eCatalog
 Installation Instructions

Dimensions in Inches (mm)

Hubbell Wiring Device-Kellems • Hubbell Incorporated (Delaware) • 40 Waterview Drive • Shelton, CT 06484

Phone (800) 288-6000 • Fax (800) 255-1031 • Specifications subject to change without notice.

