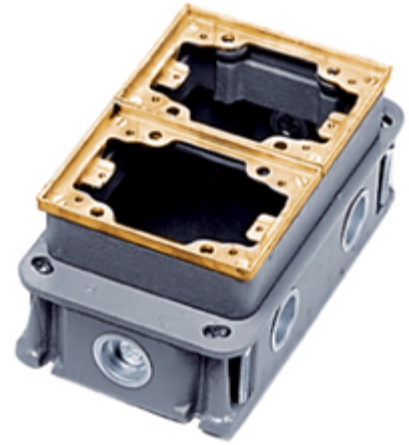


Floor Boxes
Flush Rectangular Cast Iron
Concrete Floor Boxes



Features

- Corrosion resistant for on-grade applications
- Leveling feet provide before pour adjustability
- Oversized threaded conduit access holes for low voltage



Ordering Information

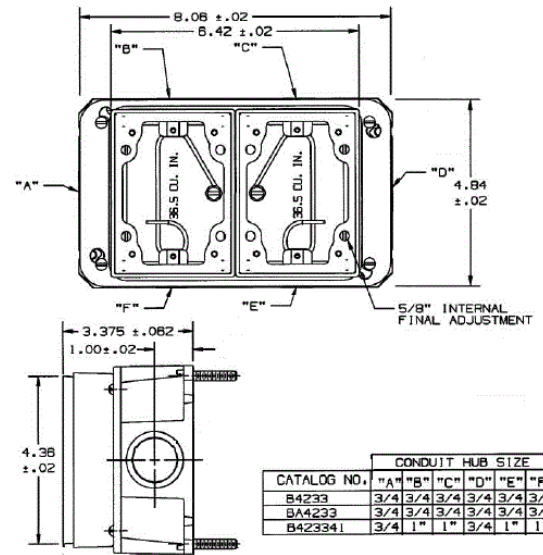
Description	UPC	Catalog Number
Rectangular Metallic	783585102801	B423341

Listings

UL Listed File Number E92074
 CSA File Number LR18416

Specifications

Collar Material	Brass
Min. Depth of Pour	3.75" (95.3)
Capacity Per Gang	36.5 cu. in. (598.1 cm ³)



Online Resources

- Customer Use Drawing
- eCatalog
- Installation Instructions

