

# Floor Boxes

## Flush Rectangular Stamped Steel

### Concrete Floor Boxes

# HUBBELL

### Features

- Stamped steel construction
- Concentric knockouts permit various conduit sizes
- Economical and light weight for above-grade applications



### Ordering Information

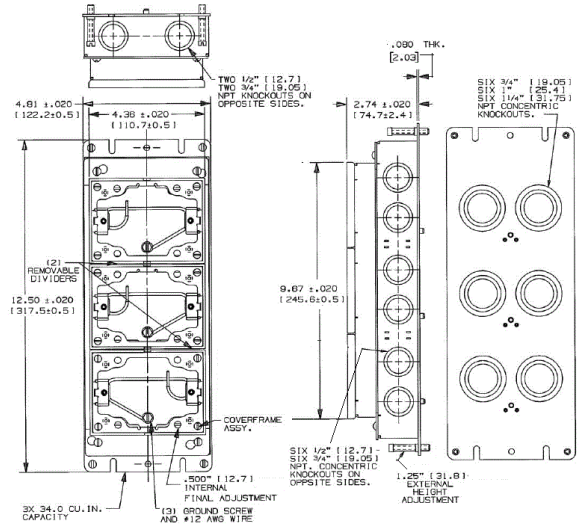
Description	Style	UPC	Catalog Number
3-Gang Shallow,	Stamped Steel	783585104263	BA2423

### Listings

UL File Number E92074  
CSA File Number LR18416

### Specifications

Collar Material	Aluminum
Size	3-Gang
Min. Depth of Pour	2.75" (69.9)
Cubic Capacity	34.0 cu. in. (557.2 cm <sup>3</sup> )



### Online Resources

[Customer Use Drawing](#)  
[eCatalog](#)  
[Installation Instructions](#)

Dimensions in Inches (mm)

Hubbell Wiring Device-Kellems • Hubbell Incorporated (Delaware) • 40 Waterview Drive • Shelton, CT 06484

Phone (800) 288-6000 • Fax (800) 255-1031 • Specifications subject to change without notice.

