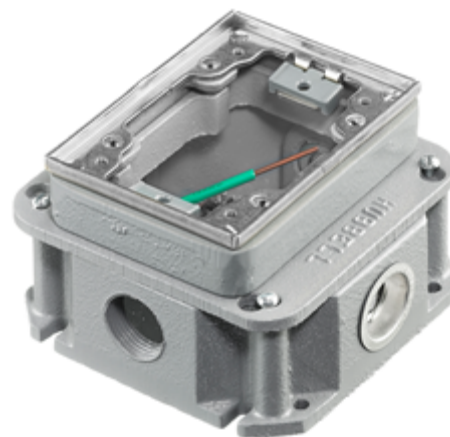


Floor Boxes
 Flush Rectangular Cast Iron
 Concrete Floor Boxes



Features

- Corrosion resistant for on-grade applications
- Gray Powder Coat Paint
- Adjustable Before Concrete Pour



Ordering Information

Description	Collar Material	UPC Number	Catalog Number
One Gang Floor Box	Aluminum	783585544137	BA243641

Listings

UL Listed File Number E92074
 CSA File Number LR18416

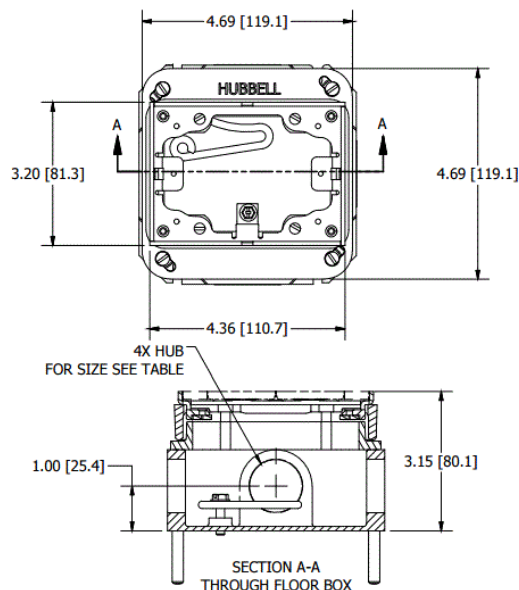
Specifications

Style	Cast Iron
Capacity Per Gang	36.5 cu. in. (598.1 cm ³)
Threaded NPT Hubs	(4) 1"

Performance

Installation Information

Min. Depth of Pour	3.75" (95.3)
--------------------	--------------



Complementary Products

Replacement Collar	C2400
Replacement Aluminum Cover Flange	SA5017A

Online Resources

eCatalog

Dimensions in Inches (mm)

Hubbell Wiring Device-Kellems • Hubbell Incorporated (Delaware) • 40 Waterview Drive • Shelton, CT 06484

Phone (800) 288-6000 • Fax (800) 255-1031 • Specifications subject to change without notice.

