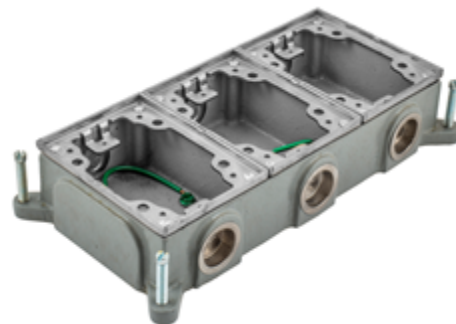


Floor Boxes  
 Flush Rectangular Cast Iron  
 Concrete Floor Boxes



**Features**

- Corrosion resistant for on-grade applications
- Gray Powder Coat Paint
- Adjustable Before Concrete Pour



**Ordering Information**

Description	Collar Material	UPC Number	Catalog Number
Three Gang Floor Box	Aluminum	783585545707	BA4314

**Listings**

UL Listed File Number E92074  
 CSA File Number LR18416

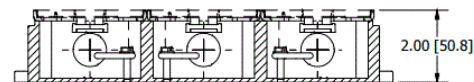
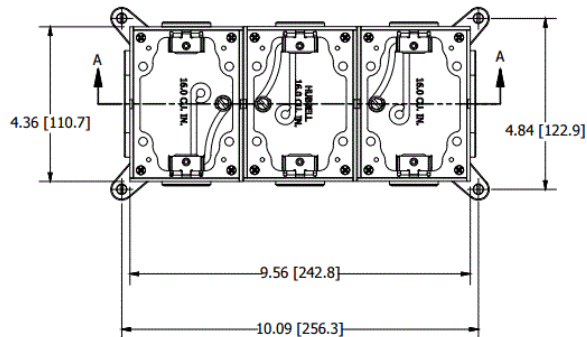
**Specifications**

Style	Cast Iron
Capacity Per Gang	16.0 cu. in. (262.2 cm <sup>3</sup> )
Threaded NPT Hubs	(6) 3/4"

**Performance**

**Installation Information**

Min. Depth of Pour 2.00" (50.8)



SECTION A-A  
 THROUGH FLOOR BOX

**Complementary Products**

Replacement Aluminum Cover Flange SA5017A

**Online Resources**

eCatalog

Dimensions in Inches (mm)

Hubbell Wiring Device-Kellems • Hubbell Incorporated (Delaware) • 40 Waterview Drive • Shelton, CT 06484

Phone (800) 288-6000 • Fax (800) 255-1031 • Specifications subject to change without notice.

