

Floor Boxes  
 Flush Rectangular Cast Iron  
 Concrete Floor Boxes



**Features**

- Corrosion resistant for on-grade applications
- Gray Powder Coat Paint
- Adjustable Before and After Concrete Pour



**Ordering Information**

Description	Collar Material	UPC Number	Catalog Number
Three Gang Floor Box	Aluminum	783585544120	BA433361

**Listings**

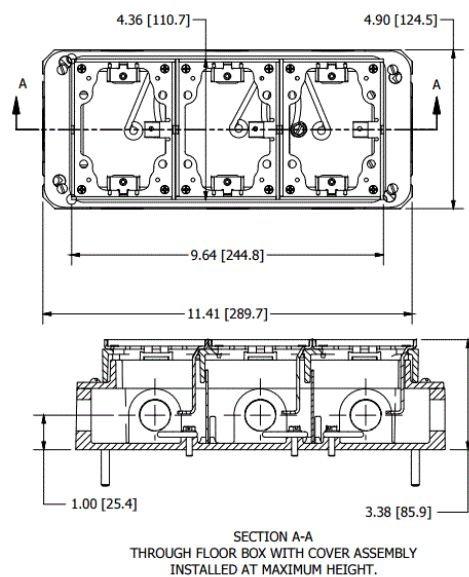
UL Listed File Number E92074  
 CSA File Number LR18416

**Specifications**

Style	Cast Iron
Capacity Per Gang	34.8 cu. in. (570.3 cm <sup>3</sup> )
Threaded NPT Hubs	(6) 1" & (2) 3/4"

**Performance**

Installation Information	
Min. Depth of Pour	3.75" (95.3)
Post Pour Adjustment	0.63"



**Complementary Products**

Replacement Collar	C4300
Replacement Aluminum Cover Flange	SA5017A

**Online Resources**

eCatalog

Dimensions in Inches (mm)

Hubbell Wiring Device-Kellems • Hubbell Incorporated (Delaware) • 40 Waterview Drive • Shelton, CT 06484

Phone (800) 288-6000 • Fax (800) 255-1031 • Specifications subject to change without notice.

