

iStation
Wallplates
Duplex 106 Outlet Frame



Features

- 2-Port
- Integrates with all Hubbell keystone connections (AV, data, and fiber)

Ordering Information

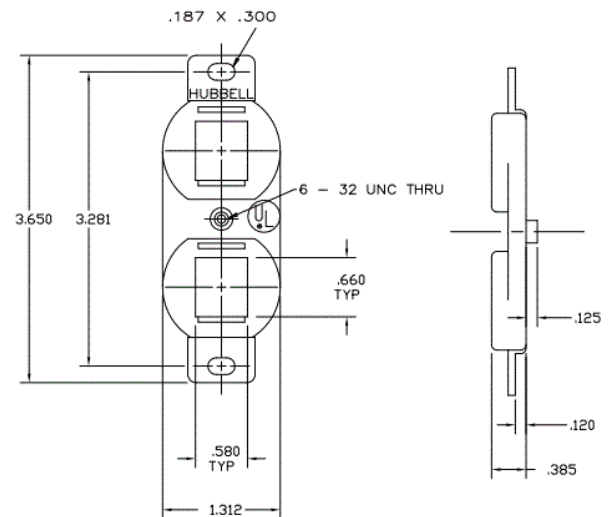
Description	Color	UPC Number	Catalog Number
iStation Duplex 106 Outlet Frame, 2-Port	Gray	662620782218	BR106G

Listings

UL and cUL Listed 1863
RoHS Compliant

Specifications

Plate Material	High-impact thermoplastic (UL 94V-0)
----------------	--------------------------------------



Online Resources

eCatalog

Dimensions in Inches (mm)

Hubbell Wiring Device-Kellems • Hubbell Incorporated (Delaware) • 40 Waterview Drive • Shelton, CT 06484

Phone (800) 288-6000 • Fax (800) 255-1031 • Specifications subject to change without notice.

