

## Straight Blade Devices

20A, 125V, 2 Pole, 3 Wire Grounding

# Commercial Specification Grade Duplex Receptacles

# HUBBELL

## Features

- Weather-resistance complies with national electrical code requirements
- Tamper-resistant shutter complies with national electrical code requirements
- Smooth face
- Wrap-around galvanized steel strap
- Triple wipe contacts

## Ordering Information

Description	Device Color	UPC Number	Catalog Number
Weather and Tamper-Resistant, smooth face, side and back wired	Gray	783585144702	BR20GRYWRTR

## Listings

UL Listed to UL498 File No. E2186  
Certified to CSA C22.2, No. 42  
NEMA® WD-6 Compliant

## Specifications

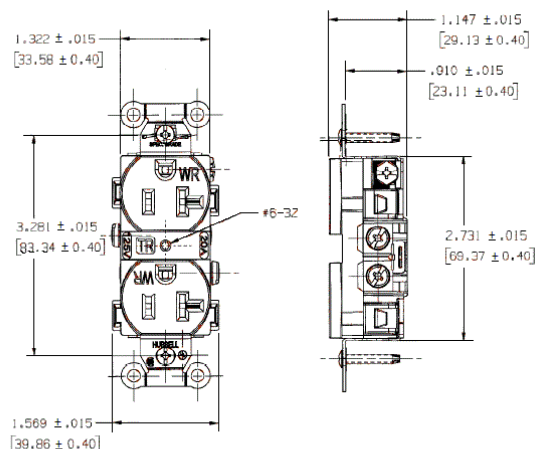
Face	Nylon
Base	Nylon
Power Contacts	.030 in. (.8) Brass
Ground Contacts	Brass
Wire Clamp	.062 in. (1.6) Nickel plated steel
Terminal Screws	Stainless steel
Automatic Self-grounding Staple	Stainless steel
Mounting Screws	Stainless steel

## Performance

Electrical	
Current Interrupting	Certified for current interrupting at full rated current
Dielectric Voltage	Withstands 2,000V minimum
Mechanical	
Product Identification	Ratings are a permanent part of the device
Terminal Accommodation	#12-#10 AWG copper stranded or solid conductor only
Terminal Identification	Terminals identified in accordance with UL 498 and CSA
Environmental	
Flammability	UL 94 V-2
Operating Temperatures	Maximum continuous 75°C; minimum -40°C (w/o impact)



20A 125V  
NEMA 5-20R  
UL CSA  
1 HP



## Complementary Products

Wallplate or Weatherproof Cover

Duplex Opening

## Online Resources

Customer Sales Drawings  
eCatalog

Dimensions in Inches (mm)

Hubbell Wiring Device-Kellems • Hubbell Incorporated (Delaware) • 40 Waterview Drive • Shelton, CT 06484

Phone (800) 288-6000 • Fax (800) 255-1031 • Specifications subject to change without notice.

