

Straight Blade Devices

20A, 125V, 2 Pole, 3 Wire Grounding

Commercial Specification Grade Duplex Receptacles

HUBBELL

Features

- Weather-resistance complies with national electrical code requirements
- Smooth face
- Wrap-around galvanized steel strap
- Triple wipe contacts

Ordering Information

Description	Device Color	UPC Number	Catalog Number
Weather Resistant, smooth face, back and side wired	Light Almond	783585144627	BR20LAWR

Listings

UL Listed to UL498 File No. E2186
Certified to CSA C22.2, No. 42
NEMA® WD-6 Compliant

Specifications

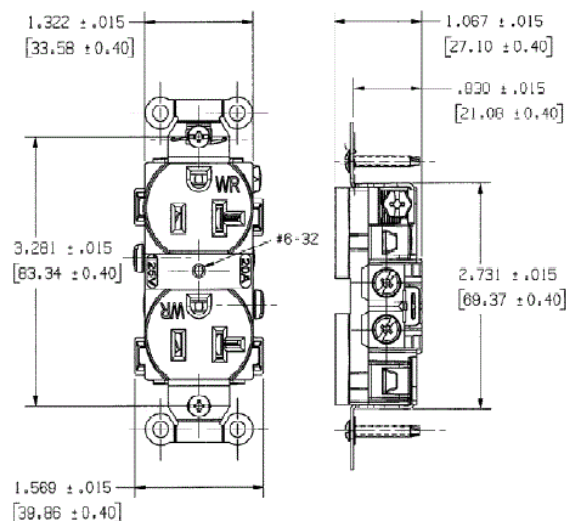
Face	Nylon
Base	Nylon
Power Contacts	.030 in. (.8) Brass
Ground Contacts	Brass
Wire Clamp	.062 in. (1.6) Nickel plated steel
Terminal Screws	Stainless steel
Automatic Self-grounding Staple	Stainless steel
Mounting Screws	Stainless steel

Performance

Electrical	
Current Interrupting	Certified for current interrupting at full rated current
Dielectric Voltage	Withstands 2,000V minimum
Mechanical	
Product Identification	Ratings are a permanent part of the device
Terminal Accommodation	#12-#10 AWG copper stranded or solid conductor only
Terminal Identification	Terminals identified in accordance with UL 498 and CSA
Environmental	
Flammability	UL 94 V-2
Operating Temperatures	Maximum continuous 75°C; minimum -40°C (w/o impact)



20A 125V
NEMA 5-20R
UL CSA
1 HP



Complementary Products

Wallplate or Weatherproof Cover

Duplex Opening

Online Resources

Customer Sales Drawings
eCatalog

Dimensions in Inches (mm)

Hubbell Wiring Device-Kellems • Hubbell Incorporated (Delaware) • 40 Waterview Drive • Shelton, CT 06484

Phone (800) 288-6000 • Fax (800) 255-1031 • Specifications subject to change without notice.

