

Hubbell-PRO

100 A, 480 VAC, 2-POLE, 3-WIRE

Watertight Inlet

HUBBELL

Features

- IP67 environmental ratings
- Impact and corrosion resistant insulated non-metallic housing
- Sequential contact engagement to prevent a momentary over-voltage
- Color coded housings provide quick identification of mating devices
- Shrouded pins to protect from impact and abuse

Ordering Information

| Description | Heavy Duty Products, IEC Pin and Sleeve Color | UPC 783585676159 | Catalog Number C3100B7WA |
|-------------|--|---------------------|-----------------------------|
|-------------|--|---------------------|-----------------------------|

Listings

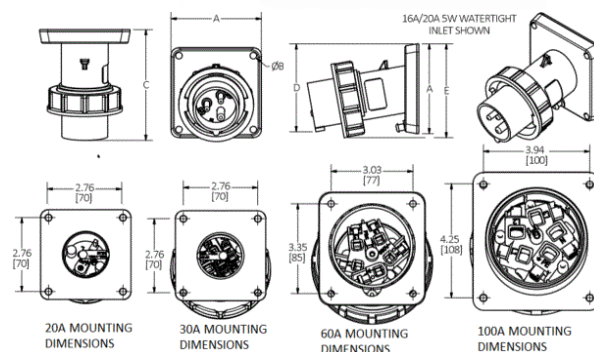
All constructions are UL Listed & cUL Listed
File E14632
UL1686 Standard for Pin & Sleeve Configurations
CE

Specifications

| | |
|-------------|---------------------------|
| Application | High Ampacity Connections |
| Connection | Pressure Screw Terminal |
| Wire Size | #4AWG to #1AWG |
| Material | PBT |
| Mounting | Screw Mount |

Performance

| | |
|-------------------------|---|
| Electrical | |
| Dielectric Voltage | Withstand 3000V AC |
| Max. Working Voltage | 600V AC RMS |
| Mechanical | |
| Impact Resistance | Per CSA C22.2 No. 182.1 / UL1682 |
| Product Identification | Identification and ratings are marked on device housing |
| Terminal Identification | Terminals identified in accordance with North American and IEC conventions |
| Environmental | |
| Flammability | HB |
| Ingress Protection | IP67 |
| Moisture Resistance | IEC 60309-1 |
| Temperature Rating | Maximum Continuous: 75° C; Minimum Continuous: -40° C w/o impact, -25° with impact. |



Complementary Products

Complementary Products

Adapter Plate, Back Box

Online Resources

Customer Sales Drawings
eCatalog
Installation Instructions

Dimensions in Inches (mm)

Hubbell Wiring Device-Kellems • Hubbell Incorporated (Delaware) • 40 Waterview Drive • Shelton, CT 06484

Phone (800) 288-6000 • Fax (800) 255-1031 • Specifications subject to change without notice.

