

Hubbell-PRO

60/63 A, 125/250 VAC, 3-POLE, 4-WIRE

Watertight Inlet

HUBBELL

Features

- IP67 environmental ratings
- Impact and corrosion resistant insulated non-metallic housing
- Sequential contact engagement to prevent a momentary over-voltage
- Color coded housings provide quick identification of mating devices
- Shrouded pins to protect from impact and abuse

Ordering Information

Description	Heavy Duty Products, IEC Pin and Sleeve Color	UPC 783585675626	Catalog Number C460B9WA
-------------	--	---------------------	----------------------------

Listings

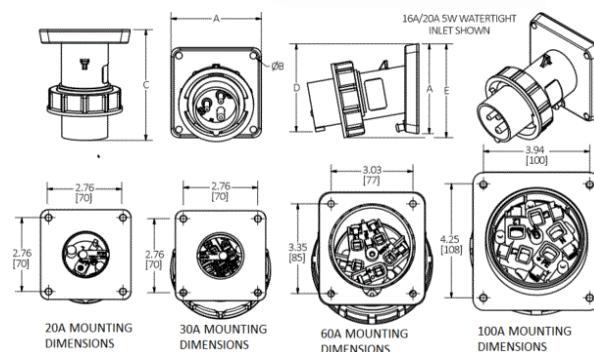
All constructions are UL Listed & cUL Listed
 FileE14632
 UL1686 Standard for Pin & Sleeve Configurations
 VDE, CE

Specifications

Application	High Ampacity Connections
Connection	Pressure Screw Terminal
Wire Size	#6AWG to #4AWG
Material	PBT
Mounting	Screw Mount

Performance

Electrical	
Dielectric Voltage	Withstand 3000V AC
Max. Working Voltage	600V AC RMS
Mechanical	
Impact Resistance	Per CSA C22.2 No. 182.1 / UL1682
Product Identification	Identification and ratings are marked on device housing
Terminal Identification	Terminals identified in accordance with North American and IEC conventions
Environmental	
Flammability	HB
Ingress Protection	IP67
Moisture Resistance	IEC 60309-1
Temperature Rating	Maximum Continuous: 75° C; Minimum Continuous: -40° C w/o impact, -25° with impact.



Complementary Products

Complementary Products

Adapter Plate, Back Box

Online Resources

Customer Sales Drawings
 eCatalog
 Installation Instructions

Dimensions in Inches (mm)

Hubbell Wiring Device-Kellems • Hubbell Incorporated (Delaware) • 40 Waterview Drive • Shelton, CT 06484

Phone (800) 288-6000 • Fax (800) 255-1031 • Specifications subject to change without notice.

