

## Floor Boxes

### SystemOne Recessed 10 Gang Floor Box

For Use In Concrete Floors

# HUBBELL

#### Features

- Designed for applications requiring up to 2 in. conduits
- Stamped steel construction, exterior coated with fusion bonded epoxy paint for on grade use
- Pre and post pour adjustment
- Patent pending, labor saving, easy mount device plates
- Round covers

#### Ordering Information

- Adjustable collar for up to 1/4 in. post pour adjustment
- 6 inch solid conductor ground pigtail in each gang

| Catalog Number | UPC Number                  | Cover Series    | Box Type |
|----------------|-----------------------------|-----------------|----------|
| CFB10G55RCR    | 783585447438                | CFBS1R8xx       | On Grade |
| Device Volume  | Depth Behind Mounting Plate | Min. Pour Depth |          |
| 25 cu in.      | 2 1/2 in.                   | 6 1/4 in.       |          |

#### Specifications

|  |                           |
|--|---------------------------|
| Box Material                               | 16 gauge galvanized steel |
| Access Cover Material (ordered separately) | Die cast aluminum         |

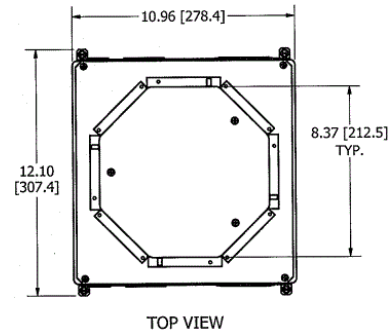
#### Required

##### Cover

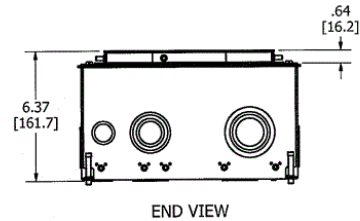
- AFB Style Rectangular Covers (for use with carpet, tile, VCT and other engineered floors) [Click here](#)
- Surface Style Rectangular Covers (for use with carpet, tile, VCT and other engineered floors) [Click here](#)

#### Accessories

|   |            |
|---|------------|
| Finished floor height adjustment ring - increase post pour adjustment 0 - 1/4 in.   | CFB6RCVRR1 |
| Finished floor height adjustment ring - increase post pour adjustment 1/4 - 1/2 in. | CFB8RCVRR2 |
| Finished floor height adjustment ring - increase post pour adjustment 1/2 - 3/4 in. | CFB8RCVRR3 |



TOP VIEW



END VIEW

#### Online Resources

Customer Use Drawing  
eCatalog  
Installation Instructions

Dimensions in Inches (mm)

Hubbell Wiring Device-Kellems • Hubbell Incorporated (Delaware) • 40 Waterview Drive • Shelton, CT 06484

Phone (800) 288-6000 • Fax (800) 255-1031 • Specifications subject to change without notice.

