

Floor Boxes

SystemOne Recessed 10 Gang Floor Box

For Use In Concrete Floors

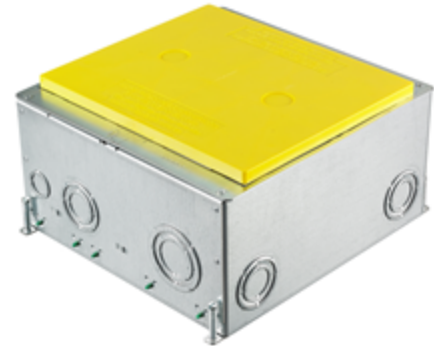
HUBBELL

Features

- Designed for applications requiring up to 2 in. conduits
- Stamped steel construction
- Pre and post pour adjustment
- Patent pending, labor saving, easy mount device plates
- Rectangular covers

Ordering Information

- A ½ in. yellow plastic cover insert is included and allows for easy use in tile, finished concrete or other mediums
- 6 inch solid conductor ground pigtail in each gang



Catalog Number	UPC Number	Cover Series	Box Type
CFB10G55	783585447407	610Gxx	Above Grade
Device Volume	Depth Behind Mounting Plate	Min. Pour Depth	
25 cu in.	2 1/2 in.	5 1/2 in.	

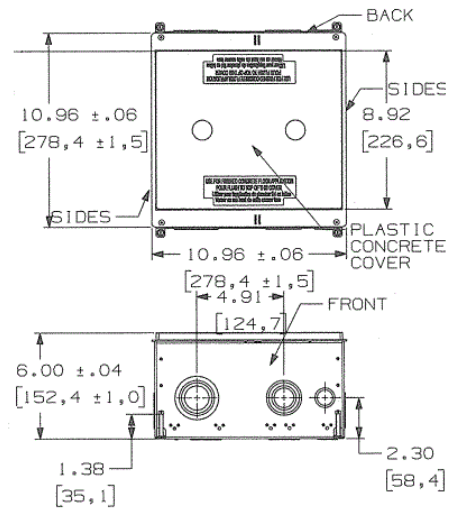
Specifications

Box Material	16 gauge galvanized steel
Access Cover Material (ordered separately)	Die cast aluminum
Plastic Concrete Cover	Polypropolyne - yellow

Required

Cover

- Surface Style Rectangular Covers (for use with carpet, tile, VCT and other engineered floors) [Click here](#)
- Flush Style Rectangular Covers (for use with tile, finished concrete and Terrazzo floors) [Click here](#)



Online Resources

Customer Use Drawing
eCatalog
Installation Instructions

Dimensions in Inches (mm)

Hubbell Wiring Device-Kellems • Hubbell Incorporated (Delaware) • 40 Waterview Drive • Shelton, CT 06484

Phone (800) 288-6000 • Fax (800) 255-1031 • Specifications subject to change without notice.

