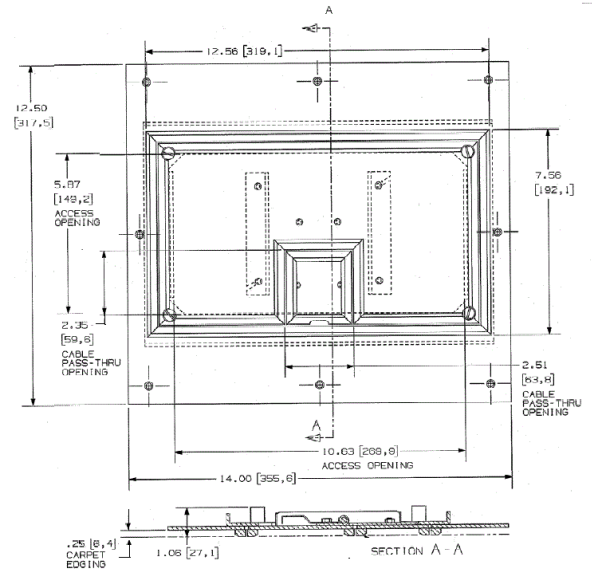


**Floor Boxes**  
**Floor Box Covers**



**Ordering Information**

Description	Device Color	UPC	Catalog Number
Flange and cover,	Aluminum	783585213002	CFB11TALU



**Online Resources**

- Customer Use Drawing
- eCatalog
- Installation Instructions

Dimensions in Inches (mm)

Hubbell Wiring Device-Kellems • Hubbell Incorporated (Delaware) • 40 Waterview Drive • Shelton, CT 06484

Phone (800) 288-6000 • Fax (800) 255-1031 • Specifications subject to change without notice.

