

## Floor Boxes

### SystemOne Recessed 4 Gang Floor Box

For Use In Concrete Floors

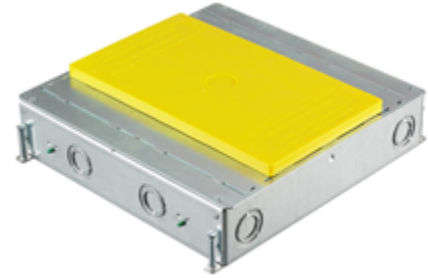
# HUBBELL

#### Features

- Designed for applications with minimum slab thickness
- Stamped steel construction
- Pre and post pour adjustment
- Patent pending, labor saving, easy mount device plates
- Rectangular covers

#### Ordering Information

- A ½ in. yellow plastic cover insert is included and allows for easy use in tile, finished concrete or other mediums
- 6 inch solid conductor ground pigtail in each gang



<b>Catalog Number</b> CFB4G25	<b>UPC Number</b> 783585190877	<b>Cover Series</b> 24Gxx	<b>Box Type</b> Above Grade
----------------------------------	-----------------------------------	------------------------------	--------------------------------

<b>Device Volume</b> 26 1/2 cu in.	<b>Depth Behind Mounting Plate</b> 2 1/2 in.	<b>Min. Pour Depth</b> 2 1/2 in.
---------------------------------------	---	-------------------------------------

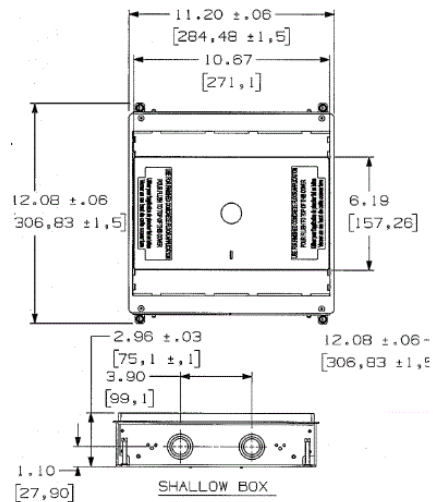
#### Specifications

Box Material	16 gauge galvanized steel
Access Cover Material (ordered separately)	Die cast aluminum
Plastic Concrete Cover	Polypropolyne - yellow

#### Required

##### Cover

- Surface Style Rectangular Covers (for use with carpet, tile, VCT and other engineered floors) [Click here](#)
- Flush Style Rectangular Covers (for use with tile, finished concrete and Terrazzo floors) [Click here](#)



#### Online Resources

Customer Use Drawing  
eCatalog  
Installation Instructions

#### Accessories

2 in. threaded zinc hub	<b>CFBHUB2</b>
Replacement knock-out plate with epoxy coating	<b>CFBKOPLATECR</b>
Replacement wire-way, used to pass wires from one compartment to the other	<b>CFB4WW</b>

Dimensions in Inches (mm)

Hubbell Wiring Device-Kellems • Hubbell Incorporated (Delaware) • 40 Waterview Drive • Shelton, CT 06484

Phone (800) 288-6000 • Fax (800) 255-1031 • Specifications subject to change without notice.

