

## Floor Boxes

### SystemOne ETERNAL™ Series Concrete Floorboxes

#### 4-Gang Recessed

# HUBBELL

#### Features

- Cast iron base for on grade use
- Threaded conduit entry hubs
- Ships with Flush Installation Cover & 1/2" Prepour Cover
- Pre and post pour adjustment
- Rectangular cover, patented labor saving easy mount device plates

#### Ordering Information

Cover Style	Box Type	UPC Number	Catalog Number
Rectangular	On/ Above Grade	783585447261	CFB4G30CI

#### Listings

cULus Listed  
UL 514A Listed

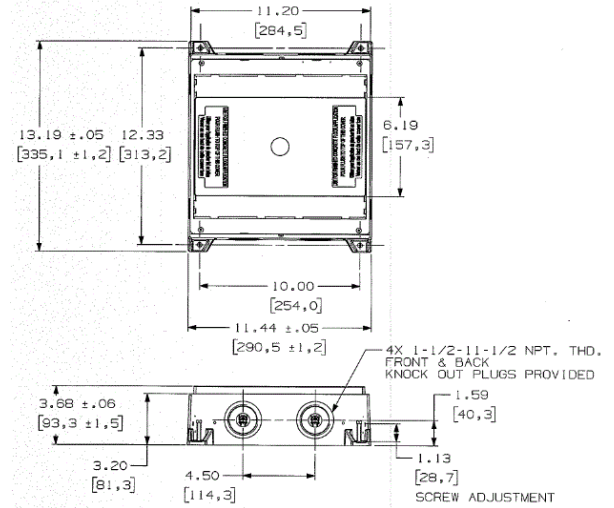
#### Specifications

Box Material	Cast Iron
Box Finish	Gray corrosion resistant epoxy paint
Top Mousing Plates	16 gauge galvanized steel
Flush Prepour Cover	16 gauge galvanized steel
1/2" Prepour Cover	Yellow Plastic
Device Chamber Grounding	6" Long #12 AWG Solid Copper Wire
Wiring Chamber Depth	2.71"
Wiring Chamber Volumes	(4) 30.0 IN <sup>3</sup> [491.7 CM <sup>3</sup> ]

#### Performance

##### Mechanical

Cover Series	24Gxx
Height	3.20"[81.3mm]
Length	13.19"[335.1mm]
Threaded Hubs: Ends	(4) 1½" NPT Thread
Threaded Hubs: Sides	(4) ¾" NPT Thread
Width	11.44"[290.5mm]



#### Related Products

Rectangular pre-pour ½ in. extension caps (2 pack) 24GEXTENDCAP2PK

3-Cubes, Single Circuit

PWFBMP3R

#### Online Resources

Customer Sales Drawings  
eCatalog  
Installation Instructions

Dimensions in Inches (mm)

Hubbell Wiring Device-Kellems • Hubbell Incorporated (Delaware) • 40 Waterview Drive • Shelton, CT 06484

Phone (800) 288-6000 • Fax (800) 255-1031 • Specifications subject to change without notice.

