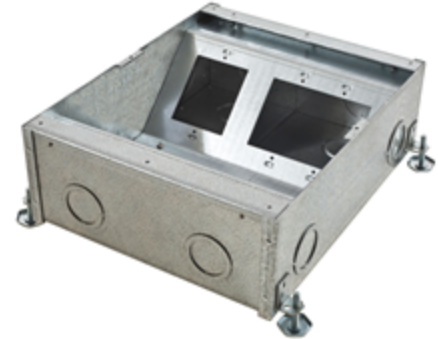


Floor Boxes

7-Gang

Recessed Concrete Floor Boxes

HUBBELL



Ordering Information

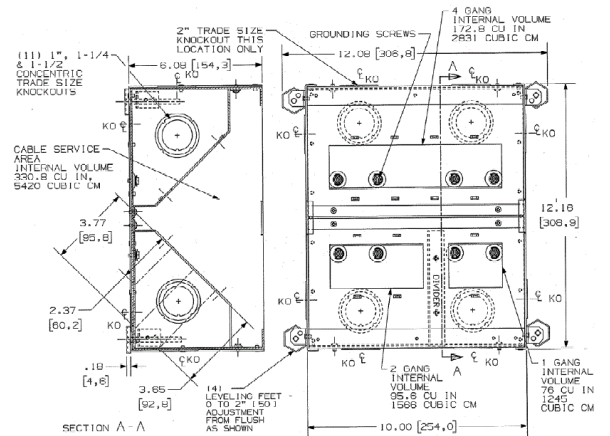
Description	Device Color	UPC	Catalog Number
CFB7G Series,	Steel	783585315898	CFB7G6

Listings

UL File Number E31999
CSA File Number LR18416

Specifications

Min. Depth of Pour	6.08" (154.3)
--------------------	---------------



Online Resources

- [Customer Use Drawing](#)
- [eCatalog](#)
- [Installation Instructions](#)

Dimensions in Inches (mm)

Hubbell Wiring Device-Kellems • Hubbell Incorporated (Delaware) • 40 Waterview Drive • Shelton, CT 06484

Phone (800) 288-6000 • Fax (800) 255-1031 • Specifications subject to change without notice.

