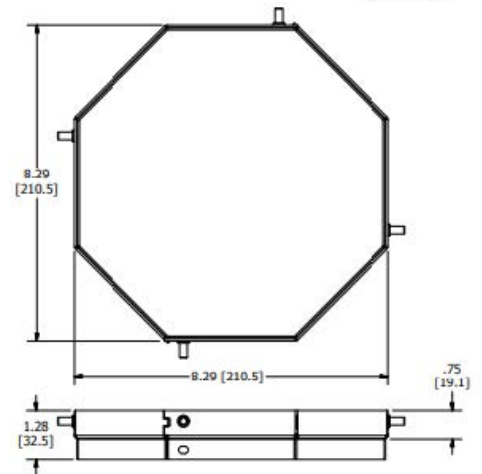
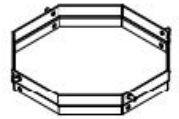
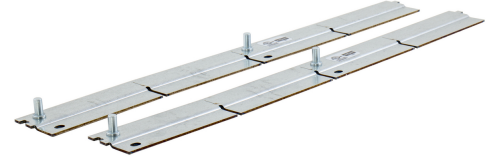


**Ordering Information**

Description	Device Color	UPC	Catalog Number
Stackable ring to increase box height and concrete pour depth by 3/4 in. increments above top plane of floor box. One ring per 3/4 in. depth increase. Must be installed before concrete pour. 4 and 6-Gang	Aluminum	783585546025	CFB8RCVRR075



**Online Resources**

- Customer Use Drawing
- eCatalog
- Installation Instructions