

Floor Boxes
SystemOne 4" Round Recessed Floor Box
Floor Box Accessories

HUBBELL

Features

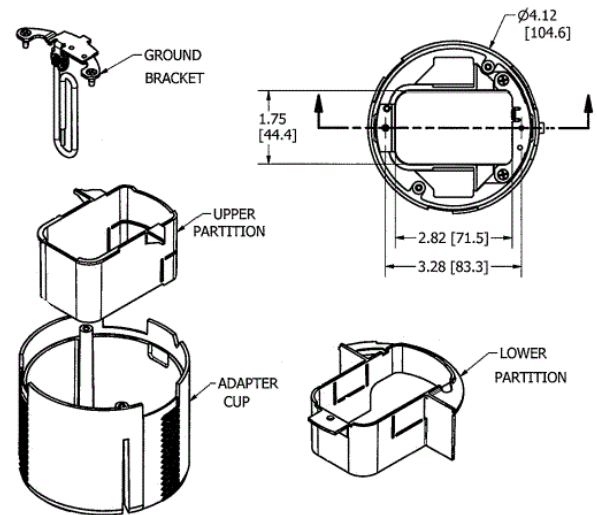
- Required Adjusting Mounting Cup For CFBS1R4xx Series Boxes
- Purchased Separately



Ordering Information

UPC Number
783585544694

Catalog Number
CFBS1R4CUP



Online Resources

[Customer Use Drawing](#)
[eCatalog](#)
[Installation Instructions](#)

Dimensions in Inches (mm)

Hubbell Wiring Device-Kellems • Hubbell Incorporated (Delaware) • 40 Waterview Drive • Shelton, CT 06484

Phone (800) 288-6000 • Fax (800) 255-1031 • Specifications subject to change without notice.

